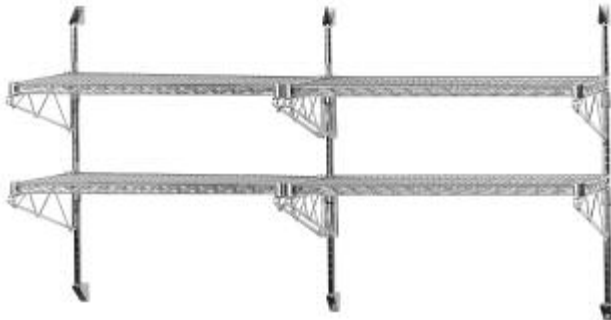




CHROME WIRE WALL MOUNT BRACKETS & POSTS

Item #: _____ **Qty #:** _____
Model #: _____
Project #: _____

Adjustable 2-Tier Brackets & Posts



(Shelving not included)

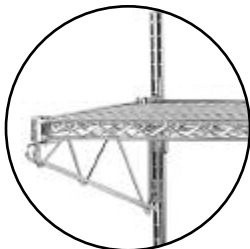
ADJUSTABLE 2-TIER SHELVING POSTS

	MODEL #	Size	Weight
END MOUNT	AB2-14	14"	18 lbs.
	AB2-18	18"	19 lbs.
*MID MOUNT	ABM2-14	14"	18 lbs.
	ABM2-18	18"	19 lbs.
Mounting Hardware	EC-50	Includes 2 Mounts Per Pack	

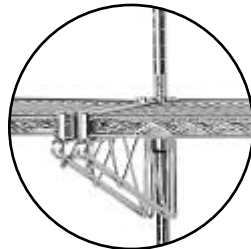
* For Adjoining Shelves

End Mount Posts include 2 - 34" posts, 4 single brackets, collar filler caps and mounting hardware

Mid-Mount Posts include 1 - 34" post, 2 double brackets and mounting hardware



End Bracket



Mid Bracket



For additional tiers, order larger posts and use **EC-50 Mounting Hardware** for each post

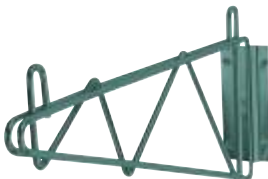
Wall Shelf Mounting Brackets



SB Series Wall Bracket



DB Series Wall Bracket



GB Series Wall Bracket



GDB Series Wall Bracket

BRACKETS

	Chrome	Green	Size	Wt
SINGLE BRACKET	SB-14*	GB-14*	14"	2 lbs.
	SB-18*	GB-18*	18"	3 lbs.
*DOUBLE BRACKET	DB-14**	GDB-14**	14"	3 lbs.
	DB-18**	GDB-18**	18"	4 lbs.

** Includes 2 Brackets

**For Adjoining Shelves

FEATURES:

Brackets feature 1/4" diameter wire for stability and strength. NSF approved.

MATERIAL:

SB & DB Series: Chrome plated steel.
 GB & GDB Series: Green Epoxy steel.

CONSTRUCTION:

End mount and Mid-mount Posts attach to wall with mounting hardware (Not Included).

Wall Shelf Brackets attach to wall with mounting hardware.

Unit assembles using tapered split sleeves.



Customer Service Available To Assist You 1-800-645-3166 8:30 am - 8:00 pm E.S.T.

Email Orders To: customer@advancetabco.com. For Smart Fabrication™ Quotes, Email To: smartfab@advancetabco.com or Fax To: 631-586-2933

NEW YORK
 Fax: (631) 242-6900

GEORGIA
 Fax: (770) 775-5625

TEXAS
 Fax: (972) 932-4795

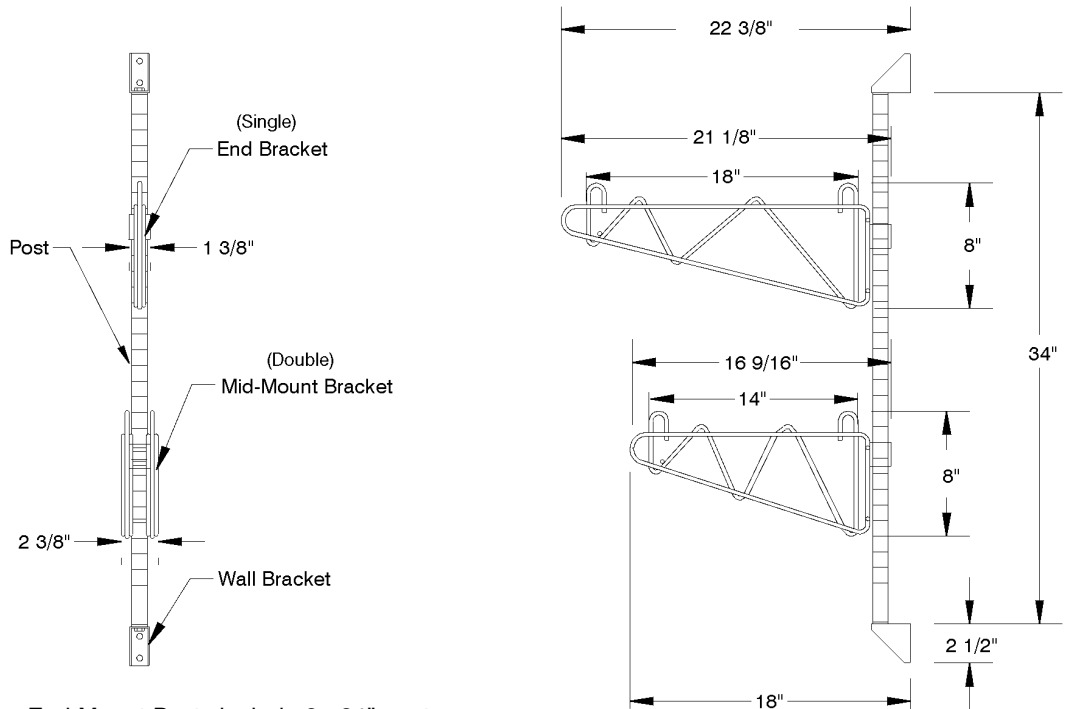
NEVADA
 Fax: (775) 972-1578

DETAILS and SPECIFICATIONS

TOL ± .500"

ALL DIMENSIONS ARE TYPICAL

ADJUSTABLE 2-TIER BRACKETS & POSTS



End Mount Posts include 2 - 34" posts and 4 single brackets

Mid-Mount Posts include 1 - 34" post and 2 double brackets

WALL SHELF MOUNTING BRACKETS

