

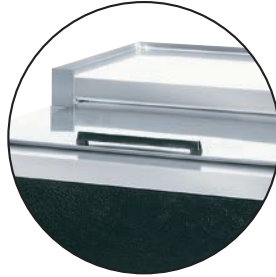


STAINLESS STEEL GLASS FROSTERS

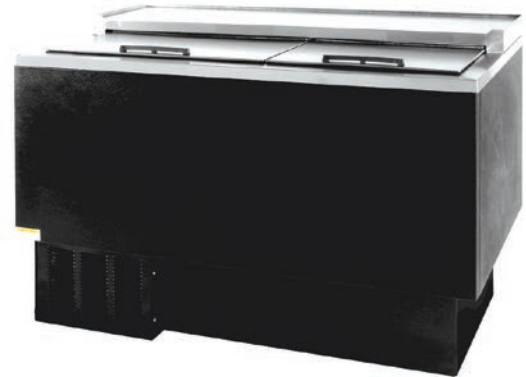
Item #:	_____	Qty #:	_____
Model #:	_____		
Project #:	_____		



GF24-B Shown



Easy Glide Lid(s)



GF48-B Shown

FEATURES:

- Stainless steel top
- Easy glide lid and counter top with edge
- Adjustable Shelving
- 2 Adjustable Dividers
- GF24-B:** 100 8" Plates/76 12 oz. Mugs
- GF34-B:** 150 8" Plates/94 12 oz. Mugs
- GF48-B:** 250 8" Plates/164 12 oz. Mugs
- Foam Polyurethane Insulation
- Automatic Defrosting
- Cabinet constructed of wear resistant vinyl on steel in black finish
- 2 Year Parts/Labor 5 Year Compressor (Parts) Warranty

MATERIAL:

- Body, external housing wash tank and all chassis components in 304 Brushed Stainless Steel
- Stainless Steel Wash And Rinse Arms
- Insulated Top And Side Panels

REFRIGERATION:

Refrigeration system uses R404A refrigerant, which is CFC and HCFC-free for compliance with environmental safety concerns. System includes automatic defrost of coils as standard, with a built in condensate evaporator system, which eliminates the need for floor drains or additional plumbing

Condensate elimination is automatic and non-electric

TECHNICAL:

- Amps:**
- GF24-B:** 7 Amps
- GF34-B:** 6.5 Amps
- GF48-B:** 7.5 Amps
- Voltage:** 115 Volts
- Hertz:** 60
- Phase:** 1
- Plug Type:** 6' NEMA5-15P Electrical Cord Included
- Compressor:** Bottom Mounted
- Horsepower:** 1/3
- Temperature Range:** -10° F

Model #	Size	Number of Lids	Wt.	Cu. Ft.
GF24-B	24" x 26" x 33-5/8"	1	183 lbs.	16
GF34-B	34" x 26" x 33-5/8"	1	227 lbs.	21
GF48-B	48" x 26" x 33-5/8"	2	276 lbs.	30



Customer Service Available To Assist You 1-800-645-3166 8:30 am - 8:00 pm E.S.T.

For Orders & Customer Service:
Email: customer@advancetabco.com or Fax: 631-242-6900

For Smart Fabrication™ Quotes:
Email: smartfab@advancetabco.com or Fax: 631-586-2933

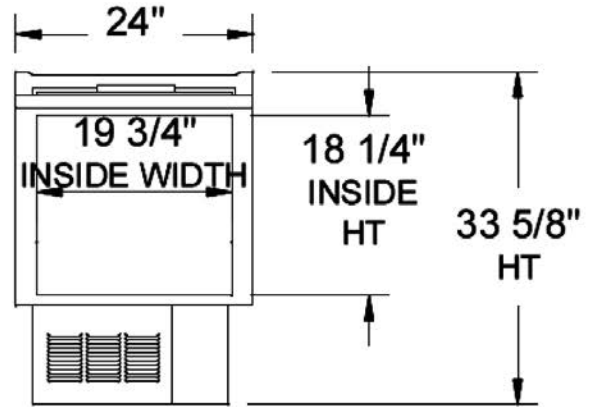
DIMENSIONS and SPECIFICATIONS

TOL Overall: ± .500" Interior: ± .250"

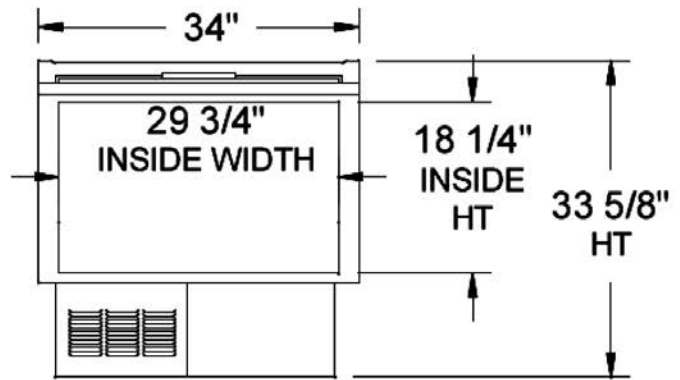
ALL DIMENSIONS ARE TYPICAL

GF Series

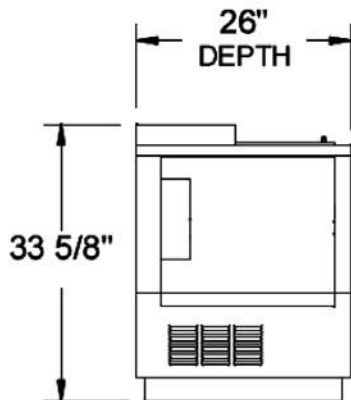
PLAN VIEWS



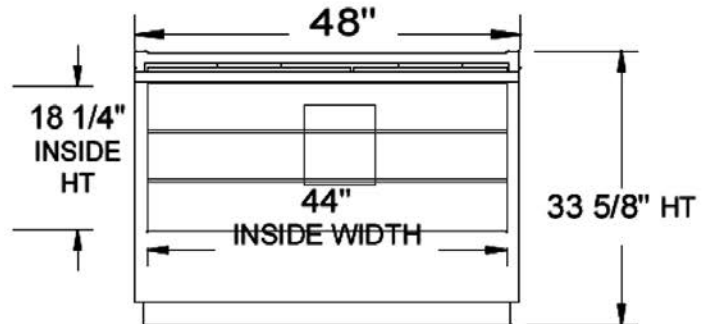
FRONT
GF24-B



FRONT
GF34-B



COMMON END



FRONT
GF48-B

