

Sleek Shields™

CAFETERIA FOOD SHIELDS

WITH STAINLESS STEEL SHELF OR GLASS TOP

PATENT
PENDING

Cafeteria Food Shield with Stainless Steel Shelf



Maximum Glass Opening is 1-1/2" From Table to Bottom of Glass
(shown with 1" Anodized Aluminum Posts)

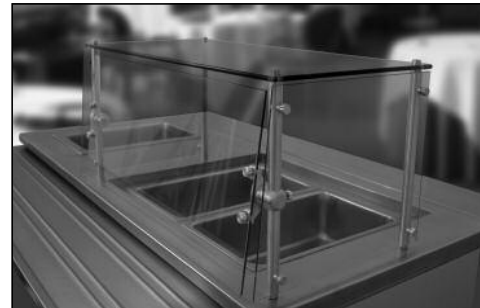


Advance Tabco's Revolutionary
"Chamber Lock-" System
makes rotating food shields
easier than ever



Meets Latest
NSF Standards

Cafeteria Food Shield with Glass Top



Maximum Glass Opening is 1-1/2" From Table to Bottom of Glass
Max. load for Top Glass is 100 lbs. even distributed wt.
(shown with 1" Anodized Aluminum Posts)

FEATURES:

- Front glass locks in place at 15° intervals.
- Attractive, low profile design & Easy to clean.
- Available with 1" solid anodized aluminum posts or 1-5/8" stainless steel posts (please specify).
- Chamber lock™ is mounted to post in a fixed position.
- Includes Two 18" Wide x 15-3/8" High .
- 1/4" Heat-Tempered Glass Front & Sides.
- Includes:
- Stainless Steel Shelving Available In 12", 15" or 18" Widths.
- Shelves have two rolled edges on front & rear and square edges on left & right sides.

CONSTRUCTION:

- All TIG welded.
- Exposed stainless steel surfaces polished to a satin finish.

Glass Unit Features Above Plus:

- 3/8" Heat-Tempered Glass Top.

MATERIAL:

- 1/4" Thick Heat-Tempered Side Glass.
- 3/8" Thick Heat-Tempered Top Glass (GSG Model).
- Shelf - 18 Ga., Type 430 Stainless Steel.
- 1" Posts - Solid Anodized Aluminum.
- 1-5/8" Post - Stainless Steel.
- Chamber Lock™ - Anodized Aluminum.
- Finish - Aluminum components manufactured with a standard Satin Clear Finish. Other colors available for Aluminum Components Only. Please consult factory for additional colors.

NOTE: Food Shield Glass Cannot
Exceed 48" Length Per Food Shield

Single Tier with Stainless Steel Shelf

Length (L)	12" Wide (305mm)	15" Wide (381mm)	18" Wide (457mm)	Approx. Wt.	Approx. Cubes
36"	NSGC-12-36	NSGC-15-36	NSGC-18-36	43 lbs.	3
48"	NSGC-12-48	NSGC-15-48	NSGC-18-48	49 lbs.	4
60"	NSGC-12-60	NSGC-15-60	NSGC-18-60	56 lbs.	6
72"	NSGC-12-72	NSGC-15-72	NSGC-18-72	64 lbs.	7
84"	NSGC-12-84	NSGC-15-84	NSGC-18-84	72 lbs.	8
96"	NSGC-12-96	NSGC-15-96	NSGC-18-96	80 lbs.	9
108"	NSGC-12-108	NSGC-15-108	NSGC-18-108	90 lbs.	10
120"	NSGC-12-120	NSGC-15-120	NSGC-18-120	103 lbs.	11
132"	NSGC-12-132	NSGC-15-132	NSGC-18-132	116 lbs.	12
144"	NSGC-12-144	NSGC-15-144	NSGC-18-144	132 lbs.	13

Single Tier with Glass Top

Length (L)	12" Wide (305mm)	15" Wide (381mm)	18" Wide (457mm)	Approx. Wt.	Approx. Cubes
36"	GSGC-12-36	GSGC-15-36	GSGC-18-36	52 lbs.	3
48"	GSGC-12-48	GSGC-15-48	GSGC-18-48	64 lbs.	4
60"	GSGC-12-60	GSGC-15-60	GSGC-18-60	72 lbs.	6
72"	GSGC-12-72	GSGC-15-72	GSGC-18-72	84 lbs.	7
84"	GSGC-12-84	GSGC-15-84	GSGC-18-84	96 lbs.	8
96"	GSGC-12-96	GSGC-15-96	GSGC-18-96	110 lbs.	9
108"	GSGC-12-108	GSGC-15-108	GSGC-18-108	122 lbs.	10
120"	GSGC-12-120	GSGC-15-120	GSGC-18-120	135 lbs.	11
132"	GSGC-12-132	GSGC-15-132	GSGC-18-132	150 lbs.	12
144"	GSGC-12-144	GSGC-15-144	GSGC-18-144	165 lbs.	13

Consult Factory for Heat Lamp Modification when mounting to Glass Top Food Shields

Need a Shield on Both Sides?

Additional Food Shield Glass Can Be Added
To Make Double Sided Serving Units

Please Use:

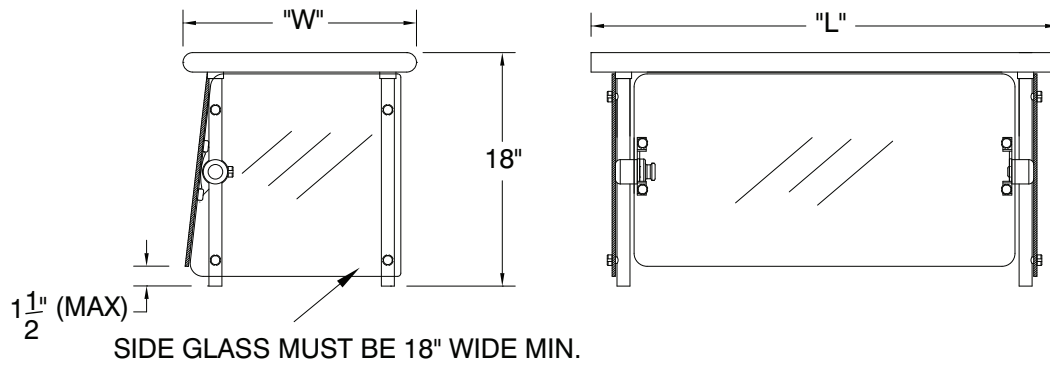
SSF-1 Self Service Units per lin. ft.
CFS-1 Cafeteria Units per lin. ft.

DETAILS and SPECIFICATIONS

TOL ± .500"

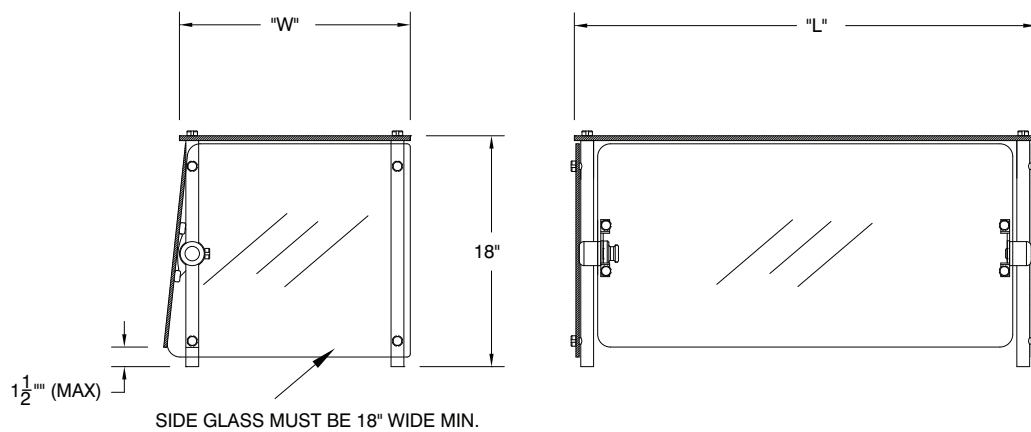
ALL DIMENSIONS ARE TYPICAL

NSGC SERIES SINGLE TIER with Stainless Steel Shelf



Maximum Front Glass Opening is 13" From Table to Bottom of Glass

GSGC SERIES SINGLE TIER with Glass Top



Maximum Front Glass Opening is 13" From Table to Bottom of Glass
Max. load for Top Glass is 100 lbs. even distributed weight

