

PROFESSIONAL STAINLESS STEEL CHEF ISLANDS

Features:

- 14 Gauge, Type 304 Stainless Steel top
- Bull nose edge on all four sides
- Hinged doors*
- Fixed stainless steel midshelf
- Stainless steel legs & adjustable bullet feet
- Custom Sizes Available

*4 Ft. & 5 Ft. Models Come with Two Hinged Doors

6 Ft. Models Come with Four Hinged Doors

8 Ft. Models Come with Four Hinged Doors & 3 Sets of Legs



24" WIDE CHEF ISLANDS

Model	Approx. Wt.	Table Length L x W
HB-SS-244MRE	270 lbs.	48"x24"
HB-SS-245MRE	310 lbs.	60"x24"
HB-SS-246MRE	355 lbs.	72"x24"
HB-SS-248MRE	445 lbs.	96"x24"

30" WIDE CHEF ISLANDS

Model	Approx. Wt.	Table Length L x W
HB-SS-304MRE	290 lbs.	48"x30"
HB-SS-305MRE	335 lbs.	60"x30"
HB-SS-306MRE	375 lbs.	72"x30"
HB-SS-308MRE	460 lbs.	96"x30"

36" WIDE CHEF ISLANDS

Model	Approx. Wt.	Table Length L x W
HB-SS-364MRE	295 lbs.	48"x36"
HB-SS-365MRE	370 lbs.	60"x36"
HB-SS-366MRE	415 lbs.	72"x36"
HB-SS-368MRE	500 lbs.	96"x36"



Rear View of Unit Shown

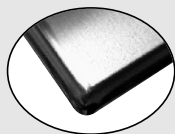
OPTIONAL PASS-THRU DOORS

This option will add a set of additional doors, allowing access from both sides of the island

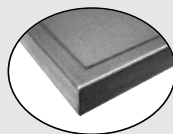
Model	# of Doors	Chef Island Length
PTD-4RE	2	For 48" Long Chef Islands
PTD-5RE	2	For 60" Long Chef Islands
PTD-6RE	4	For 72" Long Chef Islands
PTD-8RE	4	For 96" Long Chef Islands

CHEF ISLAND COUNTERTOP EDGE OPTIONS

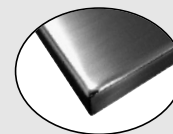
The most popular countertop edge designs to complement your decor



Bull Nose Edge
Rounded on all four sides and rounded corners.
Standard as shown in photo.



"No-Drip" Edge
Raised edge to catch liquids.
Model TA-12RE



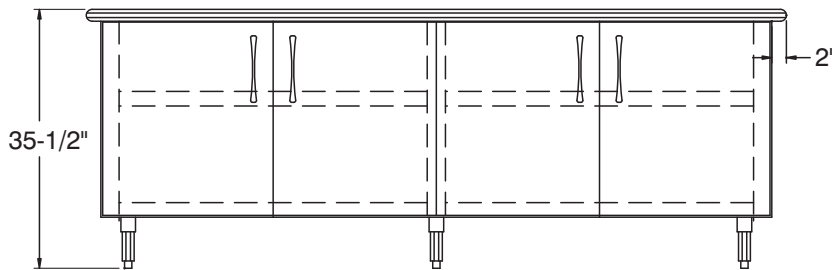
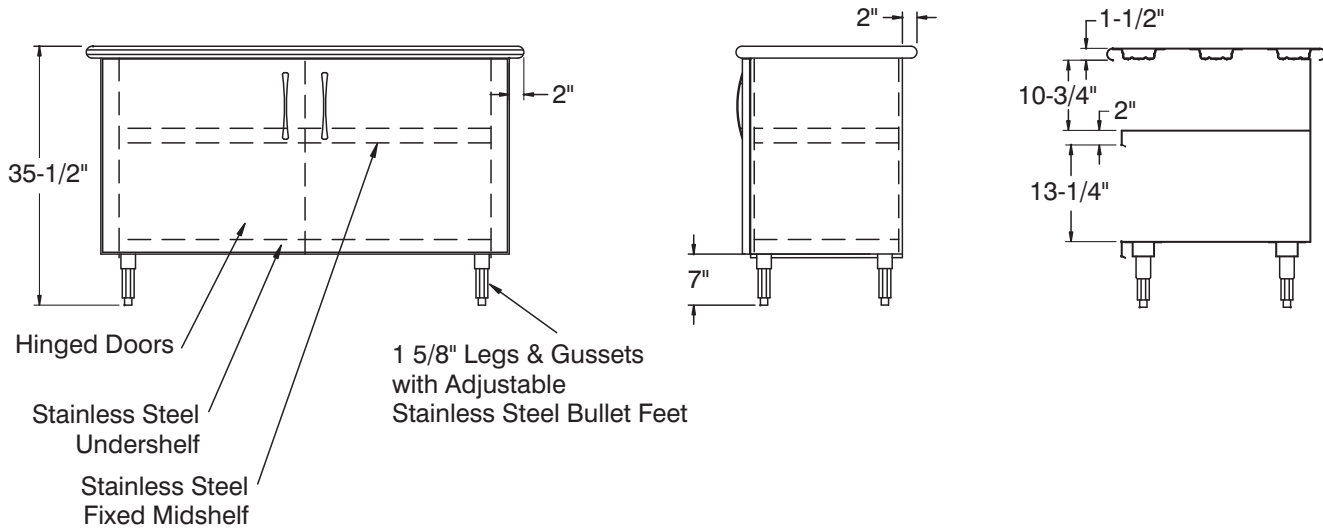
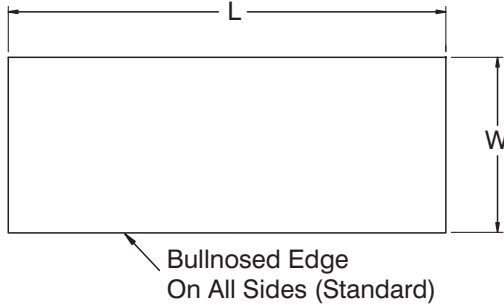
Square Edge
Edges are square on all four sides.
Model TA-22RE

Professional Stainless Steel Products For Your Home

Toll Free Phone: 866-799-0106 • Toll Free Fax: 866-799-0249

www.alinebyadvancetabco.com

PROFESSIONAL STAINLESS STEEL CHEF ISLANDS



8 Ft. Unit Shown

8 Ft. Models Provided
with Four Hinged Doors
& 3 Sets of Legs

Toll Free Phone: 866-799-0106 • Toll Free Fax: 866-799-0249

www.alinebyadvancetabco.com

ADVANCE TABCO is constantly engaged in a program of improving our products. Therefore, we reserve the right to change specifications without prior notice.

© ADVANCE TABCO, MARCH 2008