



# HEAVY DUTY ELECTRIC SEALED WELL TABLES WITH ENCLOSED BASE



Sealed Well with Drain

Item #: \_\_\_\_\_ Qty #: \_\_\_\_\_  
 Model #: \_\_\_\_\_  
 Project #: \_\_\_\_\_

HDSW-3-240-BS Shown

### FEATURES:

- Heavy duty construction
- All welded 300 series stainless steel
- Sealed wells with manifold drains
- Thermostatic controls
- All units supplied with dish shelf.
- Removable front panel to access elements for ease of service.

### MATERIAL:

- TOP:** 18 gauge #304 stainless steel with die stamped pan openings and self rimmed. (12" x 20" opening size)
- BODY:** 18 gauge #304 stainless steel
- LEGS:** 18 gauge stainless steel with fully adjustable non-marking tip bullet foot
- INSULATION:** Fiberglass insulation between each compartment
- DISH SHELF:** 18 gauge #304 stainless steel
- CUTTING BOARD:** Stainless steel shelf with 1/2" thick poly cutting board
- HEAT COMPARTMENT:** Sealed well pan with "M" shaped tubular element underneath
- PLUMBING:** Manifold drain assembly included

### ELECTRICAL:

- Single phase wiring
- 1100 Watt elements (120 volt)
- 640 Watt elements (208 volt)
- 1100 Watt elements (240 volt)
- 6' electrical cord with plug
- Infinite switch
- Indicator lights



| Model #       | Length    | Width  | # of Wells | Weight | Cubic Feet | Volts   | NEMA Plug | Amps /Watts per Unit |
|---------------|-----------|--------|------------|--------|------------|---------|-----------|----------------------|
| HDSW-2-120-BS | 31-13/16" | 35.75" | 2          | 225    | 31         | 120     | 5-20P     | 10.67/1280           |
| HDSW-3-120-BS | 47-1/8"   | 35.75" | 3          | 340    | 45         | 120     | 5-20P     | 16/1920              |
| HDSW-4-120-BS | 62-7/16"  | 35.75" | 4          | 430    | 60         | 120     | L5-30P    | 21.33/2560           |
| HDSW-2-240-BS | 31-13/16" | 35.75" | 2          | 225    | 31         | 208/240 | 6-20P     | 10.67/2200           |
| HDSW-3-240-BS | 47-1/8"   | 35.75" | 3          | 340    | 45         | 208/240 | 6-20P     | 13.75/3300           |
| HDSW-4-240-BS | 62-7/16"  | 35.75" | 4          | 430    | 60         | 208/240 | L6-30P    | 18.33/4400           |
| HDSW-5-240-BS | 77-3/4"   | 35.75" | 5          | 520    | 74         | 208/240 | L6-30P    | 22.91/5500           |
| HDSW-6-240-BS | 93-1/8"   | 35.75" | 6          | 610    | 88         | 208/240 | L6-30P    | 27.5/6600            |

**NOTE: Units are not designed to cook or heat frozen or refrigerated foods. Food placed in tables should already be hot, and the table will maintain the proper temperatures**

### Includes:



Includes Manifold Drain



NEMA PLUG 5-20P



NEMA PLUG 6-20P



NEMA PLUG L5-30P



NEMA PLUG L6-30P



Customer Service Available To Assist You **1-800-645-3166** 8:30 am - 8:00 pm E.S.T.

For Orders:

Email: [customer@advancetabco.com](mailto:customer@advancetabco.com) or Fax To: 631-242-6900

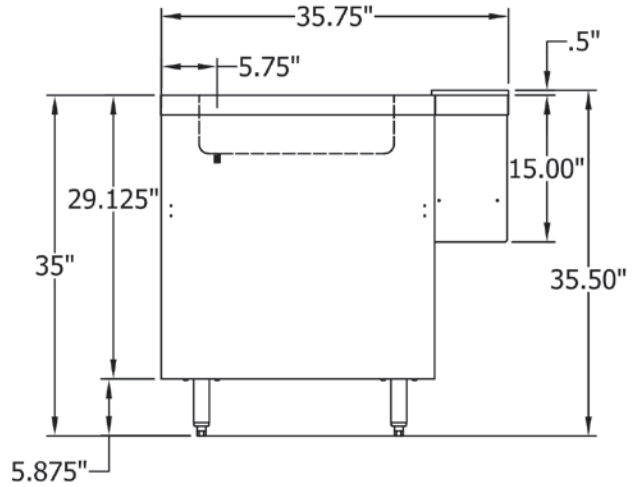
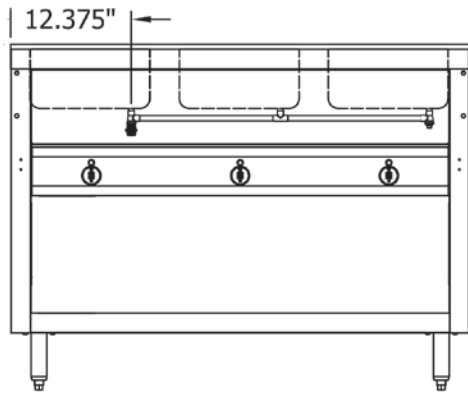
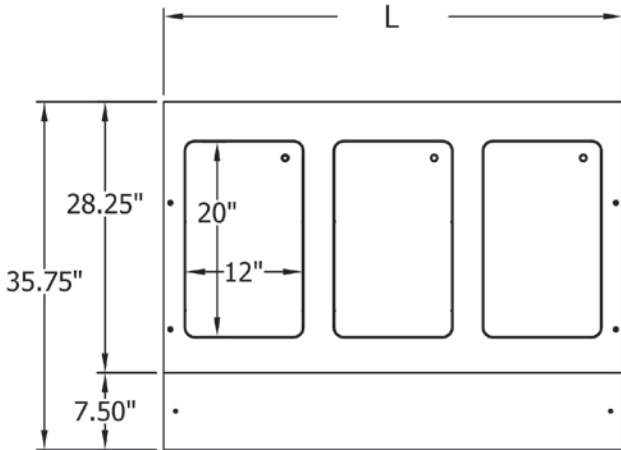
For Smart Fabrication™ Quotes:

Email: [smartfab@advancetabco.com](mailto:smartfab@advancetabco.com) or Fax To: 631-586-2933

# DIMENSIONS and SPECIFICATIONS

TOL ± .125"

ALL DIMENSIONS ARE TYPICAL



## Food Table Shelving & Accessories

Visit our website for additional accessories



**10" Wide Buffet Shelf**  
with Built-In Food Shield

| Model | Length    | Approx Wt. | Cu. ft. |
|-------|-----------|------------|---------|
| TBS-2 | 31-13/16" | 15 lbs.    | 3       |
| TBS-3 | 47-1/8"   | 17 lbs.    | 4       |
| TBS-4 | 62-7/16"  | 19 lbs.    | 5       |
| TBS-5 | 77-3/4"   | 21 lbs.    | 6       |

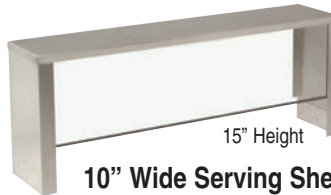


**Acrylic Side Panels for Buffet Shelf**

Add side panels to meet additional NSF requirements (2 panels per side)

- TBP-1 One Side
- TBP-2 Two Sides

Field Installation Available



**10" Wide Serving Shelf**  
with Built-In Food Shield

| Model | Length    | Approx Wt. | Cu. ft. |
|-------|-----------|------------|---------|
| TSS-2 | 31-13/16" | 15 lbs.    | 3       |
| TSS-3 | 47-1/8"   | 17 lbs.    | 4       |
| TSS-4 | 62-7/16"  | 19 lbs.    | 5       |
| TSS-5 | 77-3/4"   | 21 lbs.    | 6       |



**Acrylic Side Panel for Serving Shelf**

Add side panels to meet additional NSF requirements. (1 panel per side)

- TSP-1 One Side
- TSP-2 Two Sides

Field Installation Available

