

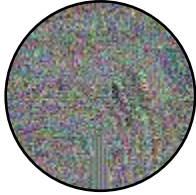
## PROFESSIONAL 5" BACKSPASH ENCLOSED BASE CHEF TABLES

Features:

- 14 Gauge, Type 304 Stainless Steel top
- 35" standard counter height
- Bull nose edge on front, square edge on sides
- 5" backsplash
- Fixed stainless steel midshelf (Midshelf must be modified for sink installation)
- Hinged doors\*
- Stainless steel legs & adjustable bullet feet
- Custom Sizes Available

- \*4 Ft. & 5 Ft. Models Come with Two Hinged Doors
- 6 Ft. Models Come with Four Hinged Doors
- 8 Ft. Models Come with Four Hinged Doors & 3 Sets of Legs

**Optional  
Integral Sinks Available**  
(Midshelf must be modified for sink installation)



Bull Nose Edge on Front  
& Square Side Edges

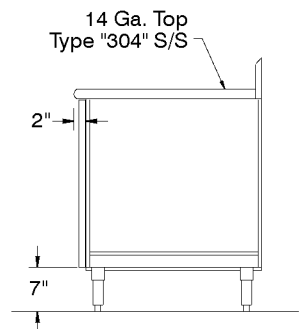
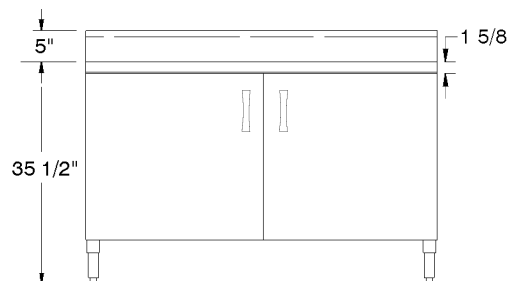
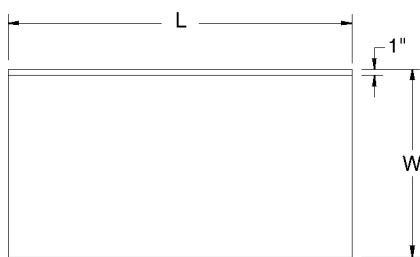


Rear View of Unit Shown

24" Wide (W) Model	Approx. Wt.	30" Wide (W) Model	Approx. Wt.	Table Length (L)
HK-SS-244MRE	270 lbs.	HK-SS-304MRE	295 lbs.	48"
HK-SS-245MRE	310 lbs.	HK-SS-305MRE	335 lbs.	60"
HK-SS-246MRE	355 lbs.	HK-SS-306MRE	375 lbs.	72"
HK-SS-248MRE	445 lbs.	HK-SS-308MRE	460 lbs.	96"

To omit midshelf, use model OMIT-SHRE

Drawers not available on Enclosed Base Chef Tables



## Professional Stainless Steel Products For Your Home

Toll Free Phone: 866-799-0106 • Toll Free Fax: 866-799-0249

www.alinebyadvancetabco.com