




























SPLASH MOUNTED FAUCETS

| | | | |
|--|---|---|--|
| <p>Splash Mount Swivel Gooseneck</p>  <p>Single Hole</p> <p>K-121</p> | <p>AC/DC powered Hands-Free Gooseneck</p> <p>AC & Battery Operated!</p>  <p>Single Hole</p> <p>K-175</p> | <p>3-1/2" Gooseneck</p>  <p>4" O.C.</p> <p>K-59</p> | <p>HEAVY DUTY Gooseneck</p>  <p>4" O.C.</p> <p>K-69</p> |
| <p>6" Extended Spout</p>  <p>4" O.C.</p> <p>K-123</p> | <p>6" Extended Spout with Wrist Handles</p>  <p>4" O.C.</p> <p>K-206</p> | <p>12" Swing Spout</p> <p>8" O.C.</p>  <p>K-1</p> | <p>14" Swing Spout</p> <p>8" O.C.</p>  <p>K-11</p> |
| <p>8" Swing Spout</p> <p>8" O.C.</p>  <p>K-101</p> | <p>HEAVY DUTY 14" Swing Spout</p> <p>8" O.C.</p>  <p>K-105</p> | <p>HEAVY DUTY 14" Swing Spout (T&S)</p> <p>8" O.C.</p>  <p>K-111</p> | <p>HEAVY DUTY 12" Swing Spout (T&S)</p> <p>8" O.C.</p>  <p>K-112</p> |
| <p>16" Swing Spout</p> <p>8" O.C.</p>  <p>K-119</p> | <p>3-1/2" Gooseneck Spout</p> <p>8" O.C.</p>  <p>K-159</p> | <p>6" D-Style Extended Spout</p> <p>8" O.C.</p>  <p>K-160</p> | <p>HEAVY DUTY Extra Long Faucet</p>  <p>K-211</p> |
| <p>HEAVY DUTY Pre-Rinse Faucet</p> <p>DTA-53</p>  <p>K-114 Replacement Spray Head & Handle</p> | <p>HEAVY DUTY Pre-Rinse Faucet (T&S)</p> <p>K-116</p>  <p>K-114 Replacement Spray Head & Handle</p> | <p>12" Swing Spout Add-A-Faucet</p>  <p>K-117</p> | <p>Service Faucet</p> <p>Does not meet Federal Lead Free Standards as it is not intended for potable water.</p>  <p>K-240</p> |

SPLASH MOUNTED FAUCETS ACCESSORIES

| | | | |
|--|--|--|--|
| <p>Eye Wash Attachment</p>  <p>K-170</p> | <p>Wrist handle Gooseneck</p>  <p>K-316</p> <p>Wrist Handles Only</p>  <p>K-316-LU</p> | <p>Hands-Free Wand</p>  <p>K-400</p> | <p>Low Flow Aerator</p>  <p>K-08</p> |
| <p>Repair Kit For K-1, K-11, K-101, K-112, K-119 & K-211</p> <p>Repair Kit can only be used on faucets purchased after 12/03</p> <p>K-00</p> |  <p>K-30</p> | | <p>Faucet Mounting Kit K-1, K-11, K-101, K-105, K-112, K-119 & K-211</p>  <p>K-06</p> |

| MODEL # | Description | A LENGTH | B HEIGHT | C | D | On Center Dimensions |
|---------|--|----------|----------|---------|---------|----------------------|
| K-00 | Repair Kit For K-1, K-11, K-101, K-119 & 211 | N/A | N/A | N/A | N/A | N/A |
| K-06 | Faucet Mt. Kit for K-1, K-11, K-101, K-119 & K-211 | N/A | N/A | N/A | N/A | N/A |
| K-1 | 12" Swing Spout Faucet | 12" | 5" | 2 1/2" | 14" | 8" O.C. |
| K-11 | 14" Swing Spout Faucet | 14" | 5 1/2" | 3" | 16" | 8" O.C. |
| K-59 | 3 1/2" Gooseneck Faucet | 3 1/2" | 8" | 5" | 6" | 4" O.C. |
| K-60 | ??" Gooseneck Faucet | ??" | ??" | ??" | ??" | 4" O.C. |
| K-69 | Heavy Duty Gooseneck Faucet | 3" | 5" | 2 3/4" | 5 1/2" | 4" O.C. |
| K-101 | 8" Swing Spout Faucet | 8" | 4 1/4" | 2 1/4" | 10" | 8" O.C. |
| K-105 | Heavy Duty 14" Swing Spout Faucet | 14" | 5" | 3" | 16" | 8" O.C. |
| K-111 | Heavy Duty 14" Swing Spout (T&S) Faucet | 14" | 8 1/4" | 5 1/2" | 16 1/2" | 8" O.C. |
| K-112 | Heavy Duty 12" Swing Spout Faucet | 12" | 5" | 3" | 14" | 8" O.C. |
| K-116 | Heavy Duty Pre-Rinse (T&S) Faucet | 13" | 34 1/2" | 13 1/2" | 15 3/8" | 8" O.C. |
| K-117 | Add-A-Faucet with 12" Spout Faucet | 12" | N/A | N/A | N/A | N/A |
| K-119 | 16" Swing Spout Faucet | 16" | 6" | 4" | 18 1/2" | 8" O.C. |
| K-121 | Splash Mount Swivel Gooseneck Faucet | 3 1/2" | 8" | 5 1/2" | 5 3/4" | Single Hole |
| K-123 | 6" Extended Spout Faucet | 6" | 5" | 2 1/2" | 8" | 4" O.C. |
| K-159 | 3 1/2" Spout Faucet | 3 1/2" | 8" | 5" | 6" | 8" O.C. |
| K-160 | 6" Extended Spout Faucet | 6" | 5" | 4" | 8" | 8" O.C. |
| K-170 | Eye Wash Attachment (See Above Detail) | N/A | N/A | N/A | N/A | N/A |
| K-175 | Hands Free AC/DC Operated Faucet 6' Cord. INPUT: 100-240VAC 47-6Hz. < 1 Amp Draw. UL LISTED | 4 1/2" | 7" | 3 3/4" | 5 1/2" | Single Hole |
| K-206 | 6" Extended Spout Faucet with Wrist Handles | 6" | 5" | 2 1/2" | 8" | 4" O.C. |
| K-211 | Heavy Duty Extra Long Spout Faucet | 18" | 7 3/4" | 5" | 21" | 8" O.C. |
| K-240* | Service Faucet | 6 1/2" | 2 1/2" | 1 3/8" | 9" | 8" O.C. |
| K-316 | Wrist Handle Gooseneck Faucet | 3 1/2" | 8" | 5" | 6" | 4" O.C. |
| K-400 | Hands Free Wand | N/A | N/A | N/A | N/A | N/A |
| DTA-53 | Heavy Duty Pre-Rinse Faucet | 15" | 34" | 5" | 15" | 8" O.C. |

* Does not meet Federal Lead Free Standards as it is not intended for potable water.

N/A = Not Applicable To Faucet

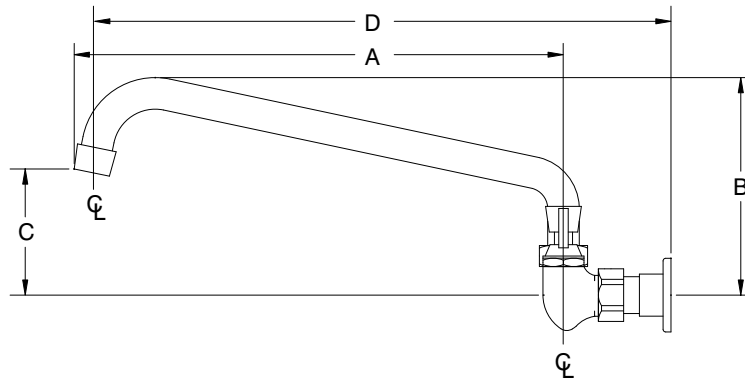
DIMENSIONS and SPECIFICATIONS

TOL ± .125"

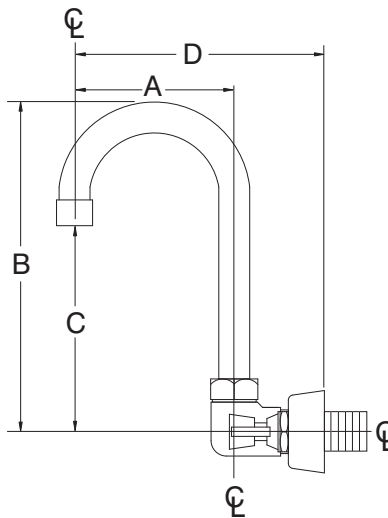
ALL DIMENSIONS ARE TYPICAL

SPLASH MOUNTED FAUCETS

Swing Spout Faucet



Gooseneck Faucet



**All Faucets That Meet 2014 Federal Lead Free Standards
(*Excludes K-240 Service Faucets)**

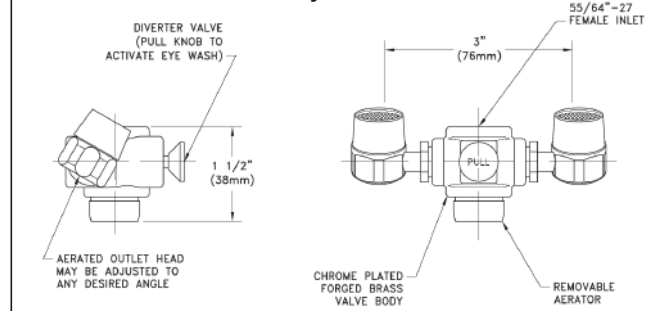
For Replacement Faucets & Upgrades, Drains & Accessories
visit our website at www.advancetabco.com

**ALL FAUCET AERATORS
CONFORM TO
ASTM.A112.18.1M
2.0 GPM/7.56 LPM**

THREAD: 55/64 - 27 FEMALE

**K-240 SERVICE FAUCET
9.6 GPM/36.3 LPM
3/4" HOSE END SPOUT**

K-170 - Eye Wash Detail



ADVANCE TABCO is constantly engaged in a program of improving our products. Therefore, we reserve the right to change specifications without prior notice.

© ADVANCE TABCO, NOVEMBER 2013

