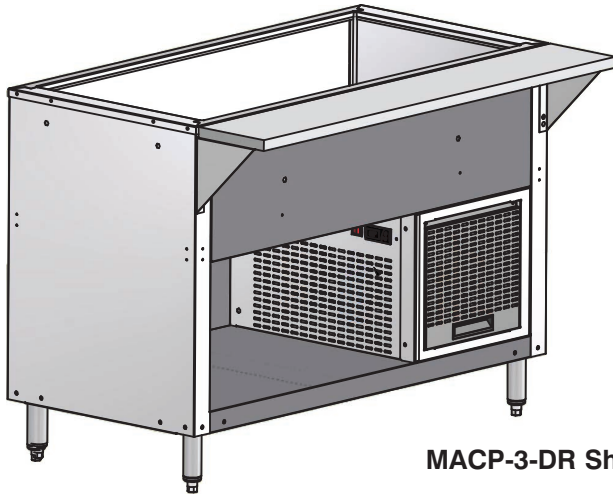




MECHANICALLY ASSISTED REFRIGERATED COLD PAN TABLES WITH OPEN BASE



MACP-3-DR Shown



Item #: _____ Qty #: _____
 Model #: _____
 Project #: _____

NOTE: Units are not designed to cool foods originally warm. Food should already be chilled to maintain the proper temperatures

FEATURES:

- High nominal cooling capacity. (1500 btuh) for guaranteed product temperature control
- Aluminum encased copper tube evaporator panels improve heat transfer by increasing contact area. This increases operating efficiency and reduces power consumption
- Expansion valve for efficient operation at various temperature conditions
- Refrigerant filter drier to insure cleanliness of sealed refrigeration circuit
- Sight glass to insure a properly charged refrigeration system
- Liquid receiver for improved refrigerant charge control
- Low running current suitable for any 115 volt circuit
- Precision electronic thermostat for exact temperature control
- Switched 115 VAC receptacles to power condensing unit and remote ventilation fan. (Optional)
- Adapter bars for 12" x 20" food pans, included

MATERIAL:

- TOP:** 18 gauge #304 stainless steel welded open frame
- LINER:** Constructed of 18 gauge, 304 stainless steel, one piece construction, all welded, ground and polished to a uniform finish. All corners are coved with a 1/4" radius.
- CABINET BASE:** 20 gauge #304 stainless steel
- PLUMBING:** 1" I.P.S. drain

REFRIGERATION SYSTEM: The compressor is housed in a 16 gauge galvanized under structure, fabricated from formed angles and bolted to the galvanized jacket. The fully self contained condensing unit is provided with a hermetically sealed compressor with a digital, programmable thermostat. The system is fully charged with environmentally friendly R404-A refrigerant.

CUTTING BOARD: 8" Wide and 1" thick white thermoplastic
CUTTING BOARD BRACKETS: 16 gauge #302 stainless steel

ELECTRICAL:

Unit will be wired for 15 amps, 120V single phase operation with an on/off thermostat switch
 2-3 well Units: 115 V, 8 AMPS, 60 Hz, 1/4 HP
 4-6 well Units: 115 V, 8 AMPS, 60 Hz, 1/3 HP
 Includes 6 ft. long, 3 wire cord with a NEMA 5-15P plug

Model	Length (L)	Width	Opening Size (A x B)	Drain Distance (C)	Refrigerant	Wt (lbs.)	Cu. Ft.
MACP-2-BS	31.8125"	22.75"	27.3125" x 20"	26.375"	R404-A	???	26
MACP-3-BS	47.125"	22.75"	42.625" x 20"	41.6875"	R404-A	???	36
MACP-4-BS	62.50"	22.75"	27.375" x 20"	57"	R404-A	???	46
MACP-5-BS	77.75"	22.75"	73.250" x 20"	72.3125"	R404-A	???	56



Customer Service Available To Assist You 1-800-645-3166 8:30 am - 8:00 pm E.S.T.

For Orders & Customer Service:
 Email: customer@advancetabco.com or Fax: 631-242-6900

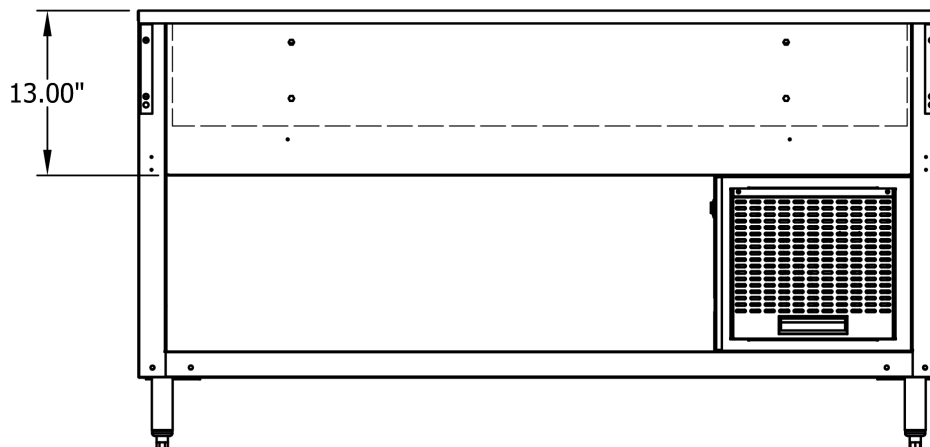
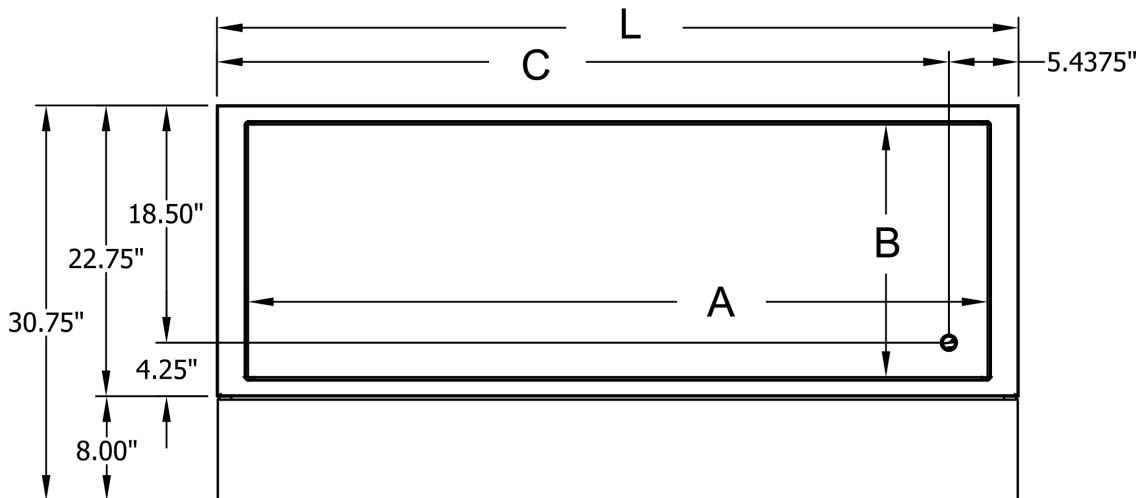
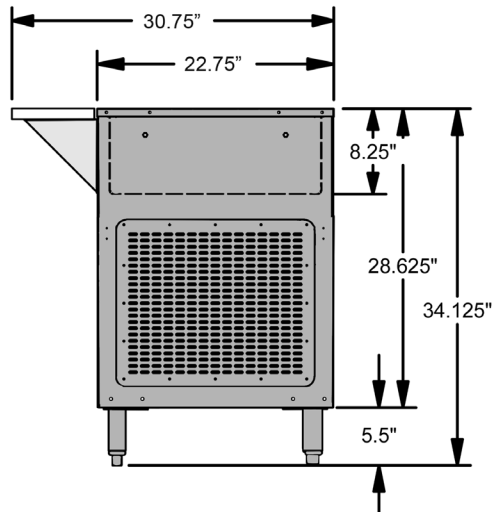
For Smart Fabrication™ Quotes:
 Email: smartfab@advancetabco.com or Fax: 631-586-2933

DIMENSIONS and SPECIFICATIONS

TOL ± .125"

ALL DIMENSIONS ARE TYPICAL

SIDE VIEW



ADVANCE TABCO is constantly engaged in a program of improving our products. Therefore, we reserve the right to change specifications without prior notice.