



STAINLESS STEEL HEAVY DUTY WORK TABLES **NSF**

FEATURES:

MSLAG: Top is furnished with 1 5/8" square bend on sides and 1 5/8" sanitary rolled rim on front and rear & square sides.

KMSLAG: Top is furnished with 1 5/8" square bend on sides and 1 5/8" sanitary rolled rim on front with 5" Rear Splash.

Two hat-channels stud welded under tabletop to reinforce and maintain a level work surface.

Aluminum die cast "leg-to-shelf" clamp secures shelf to leg eliminating unsightly nuts and bolts. Undershaft is fully adjustable.

CONSTRUCTION:

All TIG welded. Exposed weld areas polished to match adjacent surface.

Top is sound deadened.

Roll formed embossed galvanized hat channels are secured to top by means of structural adhesive and weld studs.

Gussets welded to support hat channels.

MATERIAL:

TOP: 16 gauge stainless steel type "304" series.

SHELF: 18 gauge stainless steel.

LEGS: 1 5/8" diameter tubular Stainless steel. Stainless steel gussets. 1" adjustable stainless steel bullet feet.



Stainless Steel Bullet Feet standard on Series

Item #: _____ **Qty #:** _____

Model #: _____

Project #: _____



MSLAG SERIES			
W	L	Flat Top w/Undershelf	WT.
24"	36"	MSLAG-243-X	64 lbs.
	48"	MSLAG-244-X	79 lbs.
	60"	MSLAG-245-X	92 lbs.
	72"	MSLAG-246-X	109 lbs.
	96"	MSLAG-248-X	145 lbs.
30"	36"	MSLAG-303-X	72 lbs.
	48"	MSLAG-304-X	89 lbs.
	60"	MSLAG-305-X	107 lbs.
	72"	MSLAG-306-X	125 lbs.
	96"	MSLAG-308-X	166 lbs.

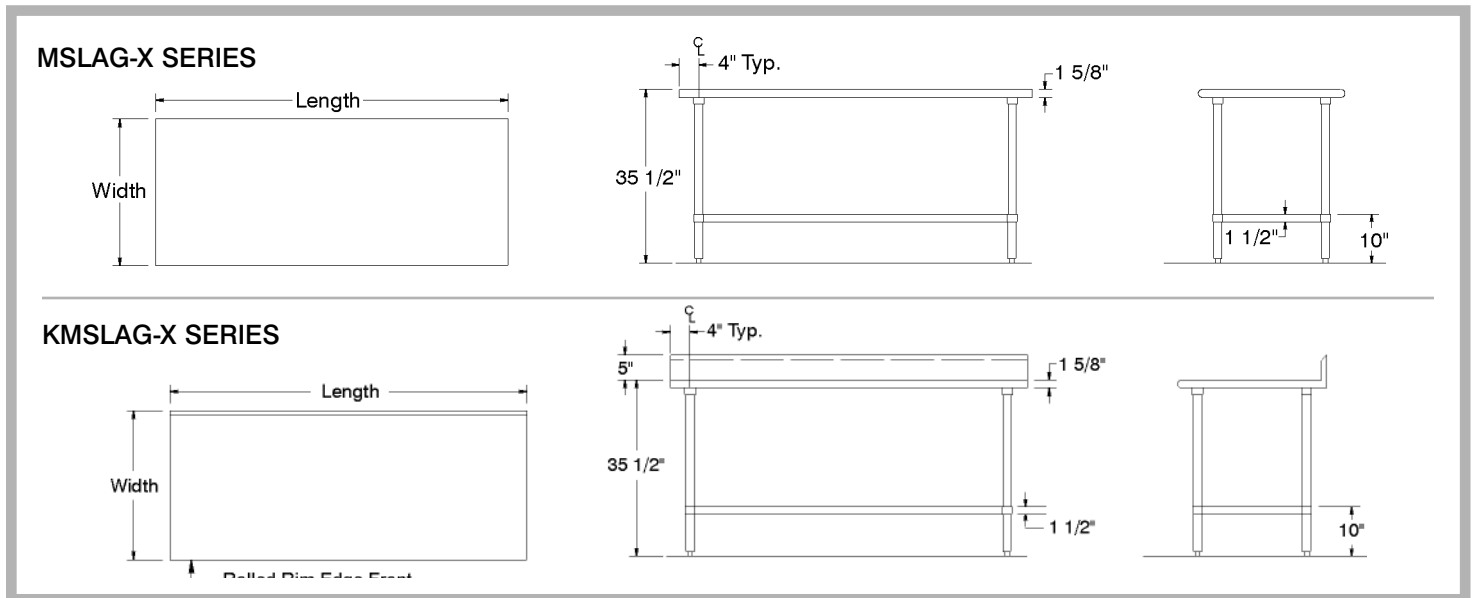
KMSLAG SERIES			
W	L	5" Rear Splash w/Undershelf	WT.
24"	36"	KMSLAG-243-X	66 lbs.
	48"	KMSLAG-244-X	81 lbs.
	60"	KMSLAG-245-X	95 lbs.
	72"	KMSLAG-246-X	113 lbs.
	96"	KMSLAG-248-X	150 lbs.
30"	36"	KMSLAG-303-X	77 lbs.
	48"	KMSLAG-304-X	92 lbs.
	60"	KMSLAG-305-X	111 lbs.
	72"	KMSLAG-306-X	129 lbs.
	96"	KMSLAG-308-X	171 lbs.

Open Base Style Available. Place "T" before model number. (Example: TMSLAG-242-X)

DETAILS and SPECIFICATIONS

TOL ± .500"

ALL DIMENSIONS ARE TYPICAL



Customer Service Available To Assist You **1-800-645-3166** 8:30 am - 8:00 pm E.S.T.

Email Orders To: customer@advancetabco.com. For Smart Fabrication™ Quotes, Email To: smartfab@advancetabco.com or Fax To: 631-586-2933

NEW YORK
Fax: (631) 242-6900

GEORGIA
Fax: (770) 775-5625

TEXAS
Fax: (972) 932-4795

NEVADA
Fax: (775) 972-1578