



Sleek Shields™

SELF SERVICE FOOD SHIELDS

DOUBLE SIDED - SINGLE TIER

Protected by: Patent No. US 9,010,883 B2



GSGD-40-96 Series Shown



Advance Tabco's Revolutionary "Chamber Lock" System
Makes Rotating Food Shields Easier Than Ever

Item #: _____ Qty #: _____
Model #: _____
Project #: _____

FEATURES:

- 40" Wide Units
- Front glass locks in place at 15° intervals.
- Attractive, low profile design & Easy to clean.
- 1" Stainless Steel Posts.
- Chamber lock™ is mounted to post in a fixed position.
- Includes Two 15-3/8" High Side Panels.
- Heat-Tempered Glass on all 4 sides.
- 6 3/4" Standard front glass height.

TOP:

- NSGD Series:** Stainless Steel Shelf.
- GSGD Series:** Tempered Glass Top.

CONSTRUCTION:

- All TIG welded.
- Exposed stainless steel surfaces polished to a satin finish.

MATERIAL:

- NSGD Series:** 18 Ga., Type 430 Stainless Steel shelf.
- GSGD Series:** 3/8" Heat-Tempered Glass Top.
- 1/4" Thick Heat-Tempered Side Glass.
- 1" Posts - Stainless Steel
- Chamber Lock™ - Anodized Aluminum.
- Finish - Aluminum components manufactured with a standard Satin Clear Finish. Other colors available for Aluminum Components Only. Please consult factory for additional colors.

Length (L)	w/Stainless Steel shelf Model #	w/Glass Top Model #	Approx. Weight	Approx. Cu. Ft.
36"	NSGD-40-36	GSGD-40-36	119 lbs.	11
48"	NSGD-40-48	GSGD-40-48	132 lbs.	14
60" ^{**}	NSGD-40-60	GSGD-40-60	148 lbs.	18
72" [†]	NSGD-40-72	GSGD-40-72	173 lbs.	21
84" [†]	NSGD-40-84	GSGD-40-84	198 lbs.	24
96" [†]	NSGD-40-96	GSGD-40-96	227 lbs.	27
108" ^{**†}	NSGD-40-108	GSGD-40-108	251 lbs.	30
120" [†]	NSGD-40-120	GSGD-40-120	278 lbs.	33
132" [†]	NSGD-40-132	GSGD-40-132	309 lbs.	36
144" ^{††}	NSGD-40-144	GSGD-40-144	340 lbs.	39

*3/8" Thick Heat-Tempered Glass Required For Front Glass

† Requires a single center post (Factory Print Required)

†† Requires two center posts (Factory Print Required)

Optional Accessories

Surface Mounting Brackets

Use when access below countertop is not available.



SG-1
Fits 1" Posts
2" O.A. Diameter

(Compatible With All Advance Tabco Food Shields)



Customer Service Available To Assist You **1-800-645-3166** 8:30 am - 8:00 pm E.S.T.

For Orders & Customer Service:

Email: customer@advancetabco.com or Fax: 631-242-6900

For Smart Fabrication™ Quotes:

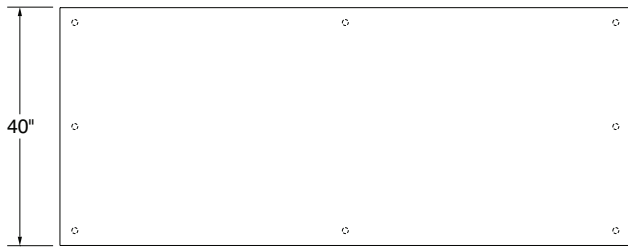
Email: smartfab@advancetabco.com or Fax: 631-586-2933

DETAILS and SPECIFICATIONS

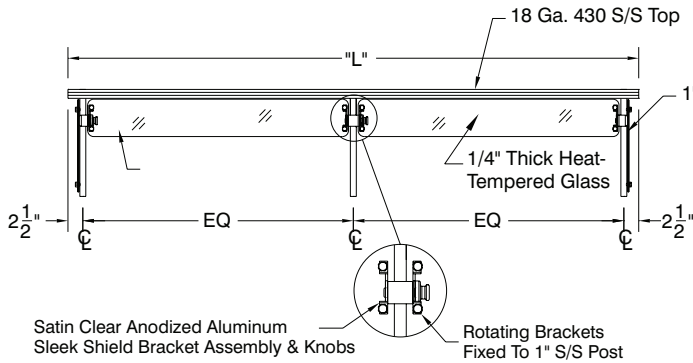
TOL ± .500"

ALL DIMENSIONS ARE TYPICAL

NSGD-40 SERIES WITH STAINLESS STEEL SHELF (NSGD-40-96 Shown with Required Additional Center Post)

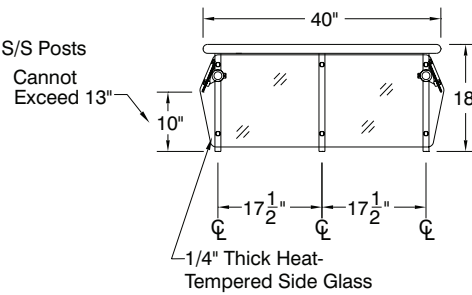
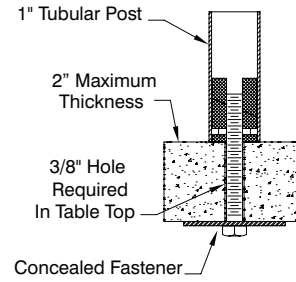


TOP VIEW



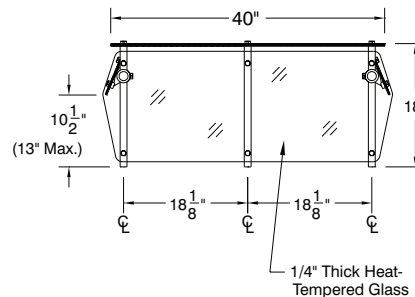
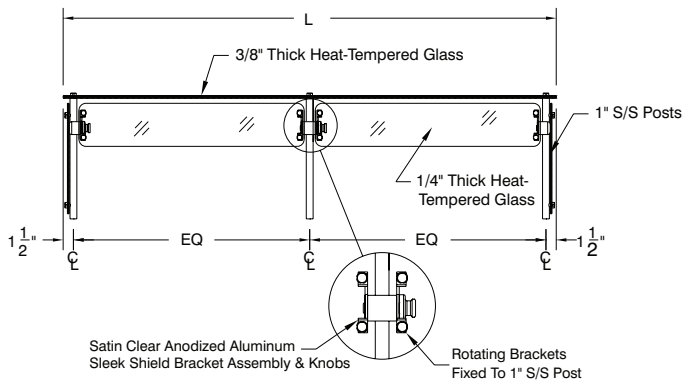
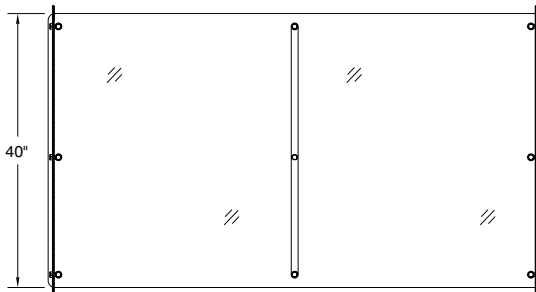
Standard Concealed Mounting Hardware

Requires access below counter for installation.



GSGD-40 SERIES WITH GLASS TOP (GSGD-40-96 Shown with Required Additional Center Post)

(GSGD-40-96 Shown with Required Additional Center Post)



Maximum Front Glass Opening is 13" From Table to Bottom of Glass. Max. load for Top Glass is 100 lbs. even distributed weight

NOTE: Glass panels that exceed 66" will require a center support/posts.

