



ALUMINUM OVAL TRAY RACK

Item #: _____ **Qty #:** _____

Model #: _____

Project #: _____



MODEL #	Pan Capacity	A Shelf Spacing	Overall Size L x W x H	Wt.
OT10-6	10	6"	26" x 28" x 69 1/4"	68 lbs.
OT20-3	20	3"	26" x 28" x 69 1/4"	102 lbs.

FEATURES:

Curved top with 4" wide angles.

5" heavy duty stem bolted casters.

OT10-6 has 6" spacing and 10 pan capacity

OT20-3 has 3" spacing and 20 pan capacity.

CONSTRUCTION:

Fully welded 1 1/4" square tubing ladder assembly.

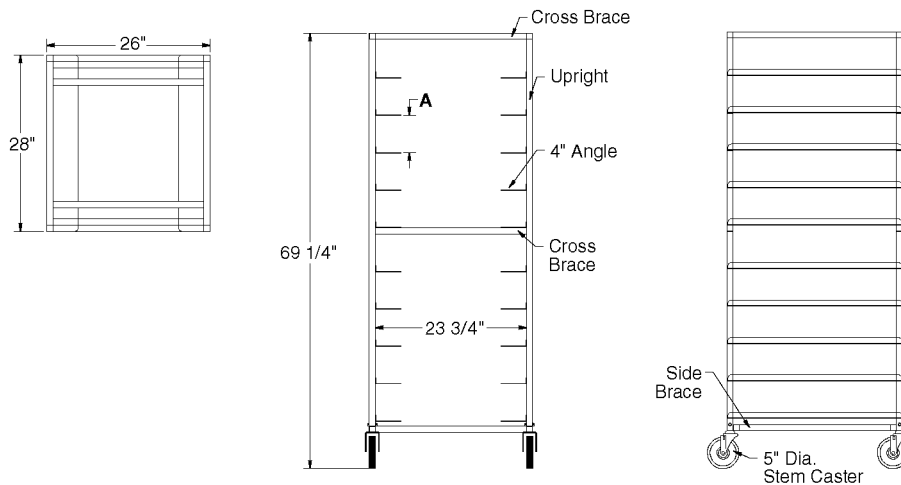
MATERIAL:

6063-T52 extruded aluminum angles, upright tubing, and support pieces.

DIMENSIONS and SPECIFICATIONS

TOL ± .500"

ALL DIMENSIONS ARE TYPICAL



Customer Service Available To Assist You 1-800-645-3166 8:30 am - 8:00 pm E.S.T.

Email Orders To: customer@advancetabco.com. For Smart Fabrication™ Quotes, Email To: smartfab@advancetabco.com or Fax To: 631-586-2933

NEW YORK
Fax: (631) 242-6900

GEORGIA
Fax: (770) 775-5625

TEXAS
Fax: (972) 932-4795

NEVADA
Fax: (775) 972-1578