

Prestige

All Stainless Steel Beer Box

24" Wide Units

Item #: _____ Qty #: _____

Model #: _____

Project #: _____



PRBB-48 Shown



PRBB-48-LC Shown

FEATURES:

18" deep insulated beer box keeps bottle beer ice cold.
 Perforated false bottom allows melted ice to drain.
 False bottom is removable for easy cleaning.
 Mirrored front molding.
 Black polyethylene thermal breaker marine edge.
 4" backsplash.
 Stainless steel legs with adjustable stainless steel bullet feet.
 Optional stainless steel locking cover includes two pad locks.

MECHANICAL:

1" IPS drain

MATERIAL:

20 gauge, 300 stainless steel
False Bottom: 18 gauge, 300 stainless steel
Dividers: 14 gauge, 300 stainless steel
Legs: 1 5/8" O.D. 14 gauge stainless steel with 1" adjustable stainless steel bullet feet
Ice Bin Insulation: 2 lbs. density foam in place
Optional Locking Cover: 18 gauge, 300 stainless steel
Ice Bin Marine Edge: Black polyethylene thermal breaker

OPTIONAL:

A-55 - Add removable stainless steel dividers
 (Qty. 2 - 48" unit; Qty. 3 - 60" unit)

Model #	Approx. Weight	Approx. Cu. Ft.	Overall Length (A)	Dist. To Drain (B)	Ice Bin Liner Size L x W x H	Capacity of Bottled Beer
PRBB-48	135 lbs.	14	48"	24"	45 3/4" x 20 3/4" x 18"	12 cases
PRBB-60	169 lbs.	15	60"	30"	57 3/4" x 20 3/4" x 18"	18 cases

With Locking Cover*

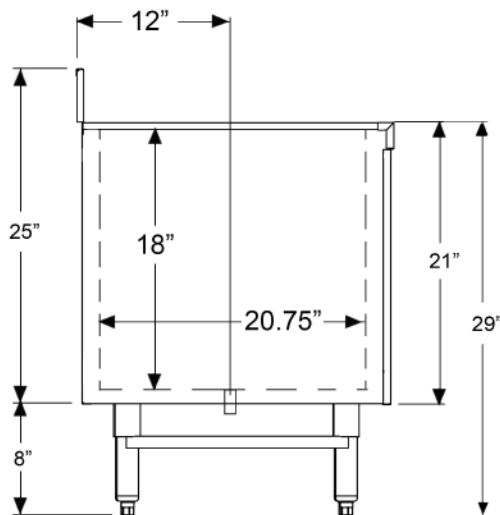
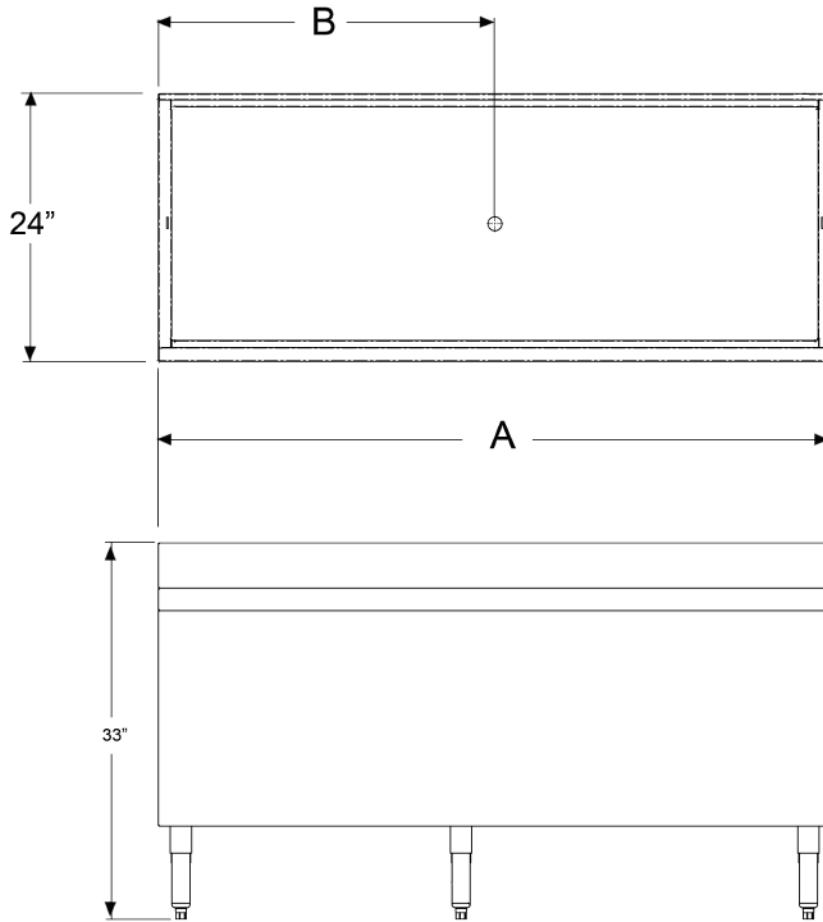
PRBB-48-LC	138 lbs.	14	48"	24"	45 3/4" x 20 3/4" x 18"	12 cases
PRBB-60-LC	173 lbs.	15	60"	30"	57 3/4" x 20 3/4" x 18"	18 cases

**Covers Cannot Be Used During Normal Operation*

DIMENSIONS and SPECIFICATIONS

TOL Overall: $\pm .500''$ Interior: $\pm .250''$

ALL DIMENSIONS ARE TYPICAL



ADVANCE TABCO is constantly engaged in a program of improving our products. Therefore, we reserve the right to change specifications without prior notice.

© ADVANCE TABCO, JULY 2014