



Prestige

**NSF All Stainless Steel Combo Ice Bins
19" and 24" Wide Units**



PRC-19-48LR
Shown

Item #: _____ Qty #: _____
 Model #: _____
 Project #: _____

MECHANICAL:

1" IPS drain - non cold plate bin
 1/2" IPS drain - cold plate bin

MATERIAL:

20 gauge, 300 stainless steel

Legs: 1 5/8" O.D. 14 gauge, stainless steel with adjustable stainless steel bullet feet

Edge: Extruded black polyethylene

Cold Plate: Cast aluminum with 10 circuits (8 syrup and 2 water lines) with 5/16" diameter stainless steel bump and swedge ends.

Ice Bin Insulation: 2 lbs. density foam-in-place

OPTIONAL:

Stainless Steel Covers:

PRA-SSC-12 - fits 12" ice bin

PRA-SSC-24 - fits 24" ice bin

PRA-SSC-30 - fits 30" ice bin

PRA-SSC-36 - fits 36" ice bin

**Bottle Racks Must Be
Removed For NSF Compliance
And For Use With Optional Cover.**

FEATURES:

- 11" deep ice bin.
- Insulated storage bin(s).
- Welded partition between bins.
- Two removable injection molded 3-pack plastic bottle racks.
- Black polyethylene thermal breaker marine edge.
- Mirrored front molding.
- Heavy gauge stainless steel legs and bullet feet.
- Optional 10-circuit cold plate sealed into bottom of ice bin.

**L And R Indicate Ice Bin Location On Either Left Or Right Side.
LR Indicates Ice Bin Is Centered.**

19" WIDE Model #	Approx. Weight	Approx. Cu. Ft.	24" WIDE Model #	Approx. Weight	Approx. Cu. Ft.	Overall Length (A)	Distance To Drain (B)/(C)	# of Independent Bins	Ice Bin Capacity
PRC-19-36L	90 lbs.	12	PRC-24-36L	105 lbs.	12	36"	12" / 30"	2	70/32 lbs.
PRC-19-36R	90 lbs.	12	PRC-24-36R	105 lbs.	12	36"	12" / 30"	2	32/70 lbs.
PRC-19-42L	105 lbs.	14	PRC-24-42L	110 lbs.	14	42"	15" / 36"	2	89/32 lbs.
PRC-19-42R	105 lbs.	14	PRC-24-42R	110 lbs.	14	42"	15" / 36"	2	32/89 lbs.
PRC-19-48L	115 lbs.	16	PRC-24-48L	120 lbs.	16	48"	18" / 42"	2	108/32 lbs.
PRC-19-48R	115 lbs.	16	PRC-24-48R	120 lbs.	16	48"	18" / 42"	2	32/108 lbs.
PRC-19-48LR	145 lbs.	16	PRC-24-48LR	160 lbs.	16	48"	N/A	3	32/70/32 lbs.
PRC-19-54LR	150 lbs.	18	PRC-24-54LR	165 lbs.	18	54"	N/A	3	32/89/32 lbs.
PRC-19-60LR	155 lbs.	20	PRC-24-60LR	170 lbs.	20	60"	N/A	3	32/108/32 lbs.

With 10-Circuit Cold Plate

PRC-19-36L-10	160 lbs.	12	PRC-24-36L	165 lbs.	12	36"	12" / 30"	2	70/32 lbs.
PRC-19-36R-10	160 lbs.	12	PRC-24-36R	165 lbs.	12	36"	12" / 30"	2	32/70 lbs.
PRC-19-42L-10	170 lbs.	14	PRC-24-42L	175 lbs.	14	42"	15" / 36"	2	89/32 lbs.
PRC-19-42R-10	170 lbs.	14	PRC-24-42R	175 lbs.	14	42"	15" / 36"	2	32/89 lbs.
PRC-19-48L-10	180 lbs.	16	PRC-24-48L	185 lbs.	16	48"	18" / 42"	2	108/32 lbs.
PRC-19-48R-10	180 lbs.	16	PRC-24-48R	185 lbs.	16	48"	18" / 42"	2	32/108 lbs.
PRC-19-48LR-10	180 lbs.	16	PRC-24-48LR	195 lbs.	16	48"	N/A	3	32/70/32 lbs.
PRC-19-54LR-10	185 lbs.	18	PRC-24-54LR	200 lbs.	18	54"	N/A	3	32/89/32 lbs.
PRC-19-60LR-10	190 lbs.	20	PRC-24-60LR	205 lbs.	20	60"	N/A	3	32/108/32 lbs.



Customer Service Available To Assist You 1-800-645-3166 8:30 am - 8:00 pm E.S.T.

For Orders & Customer Service:
 Email: customer@advancetabco.com or Fax: 631-242-6900

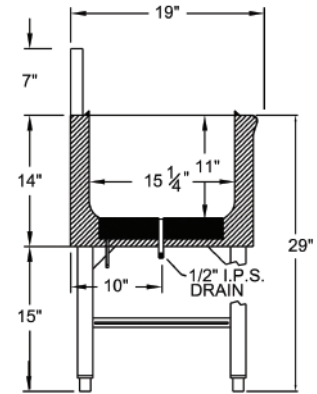
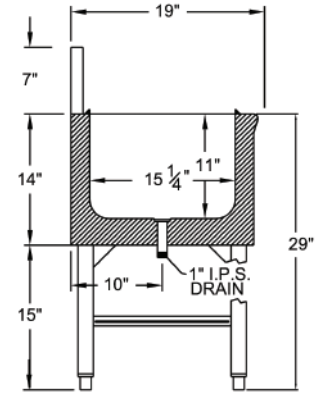
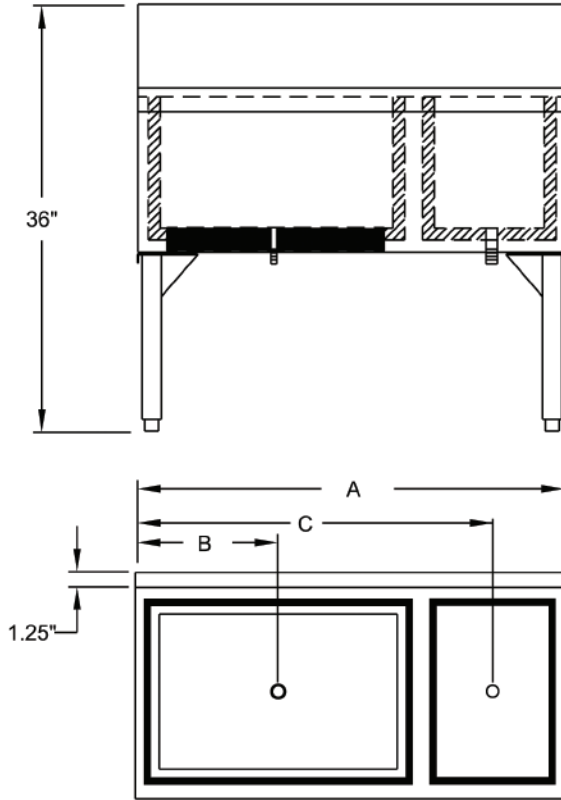
For Smart Fabrication™ Quotes:
 Email: smartfab@advancetabco.com or Fax: 631-586-2933

DIMENSIONS and SPECIFICATIONS

TOL Overall: $\pm .500"$ Interior: $\pm .250"$

ALL DIMENSIONS ARE TYPICAL

PRC-19 Series



PRC-24 Series

