



Prestige

All Stainless Steel Glass Rack Storage Units NSF 24" and 29" Wide Units

Item #: _____ Qty #: _____

Model #: _____

Project #: _____



Open Top - PROR Series
PROR-24-24 Shown



Drainboard Top - PRCR Series
PRCR-19-24 Shown



Slanted Top - PRSR Series
PRSR-19-24 Shown

FEATURES:

- Open, enclosed or slanted top styles available.
- Provides storage for up to 3 glass racks.
- Embossed and seamless drainboard (enclosed base models only).
- Adjustable rack spacing.
- Stainless steel legs with adjustable stainless steel bullet feet.
- 7" backsplash.

MATERIAL:

- 20 gauge, 300 stainless steel
- Drainboard:** 18 gauge, 300 stainless steel (PRCR Series)
- Shelf:** 18 gauge, 300 stainless steel (PROR & PRSR Series)
- Legs:** 14 gauge, 300 stainless steel mounting bracket with 1 5/8" O.D.
- 18 gauge, stainless steel with 1" adjustable stainless steel bullet feet

MECHANICAL:

- 1" IPS drain on bottom
- 1" IPS drain on top (PRCR series only)

Model #	Approx. Weight	Approx. Cu. Ft.	Storage Description	Glass Rack Capacity*	Overall Length	Overall Width (W)	Deck Size (A)
PROR-19-24	50 lbs.	12	Open Base	3	24"	24"	1 1/4"
PROR-24-24	57 lbs.	12	Open Base	3	24"	29"	5"
PRCR-19-24	45 lbs.	12	Enclosed Base	3	24"	24"	1 1/4"
PRCR-24-24	52 lbs.	12	Enclosed Base	3	24"	29"	5"
PRSR-19-24	50 lbs.	12	w/ Slanted Top	3	24"	24"	1 1/4"
PRSR-24-24	57 lbs.	12	w/ Slanted Top	3	24"	29"	5"

**Sizes Of Glass Racks Vary*



Customer Service Available To Assist You 1-800-645-3166 8:30 am - 8:00 pm E.S.T.

For Orders & Customer Service:
Email: customer@advancetabco.com or Fax: 631-242-6900

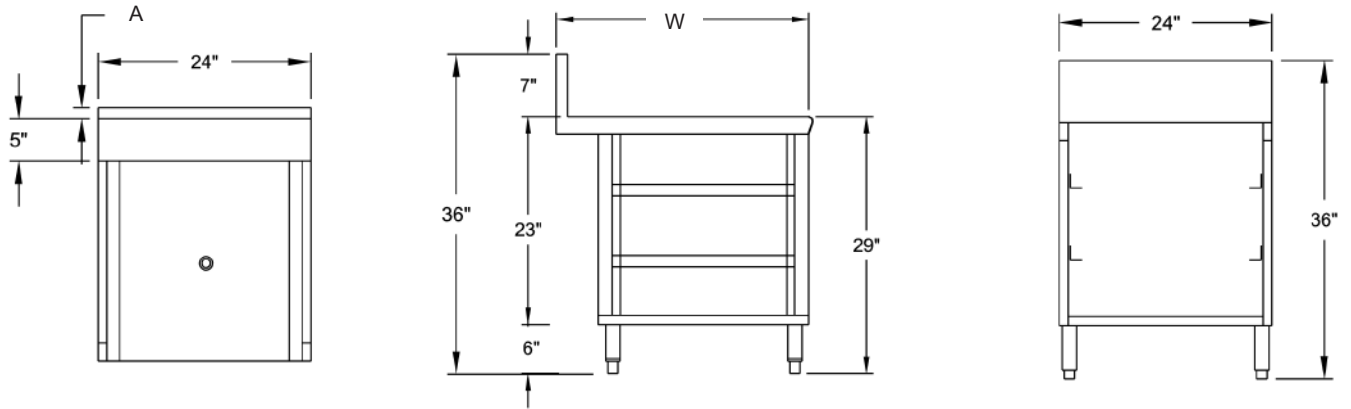
For Smart Fabrication™ Quotes:
Email: smartfab@advancetabco.com or Fax: 631-586-2933

DIMENSIONS and SPECIFICATIONS

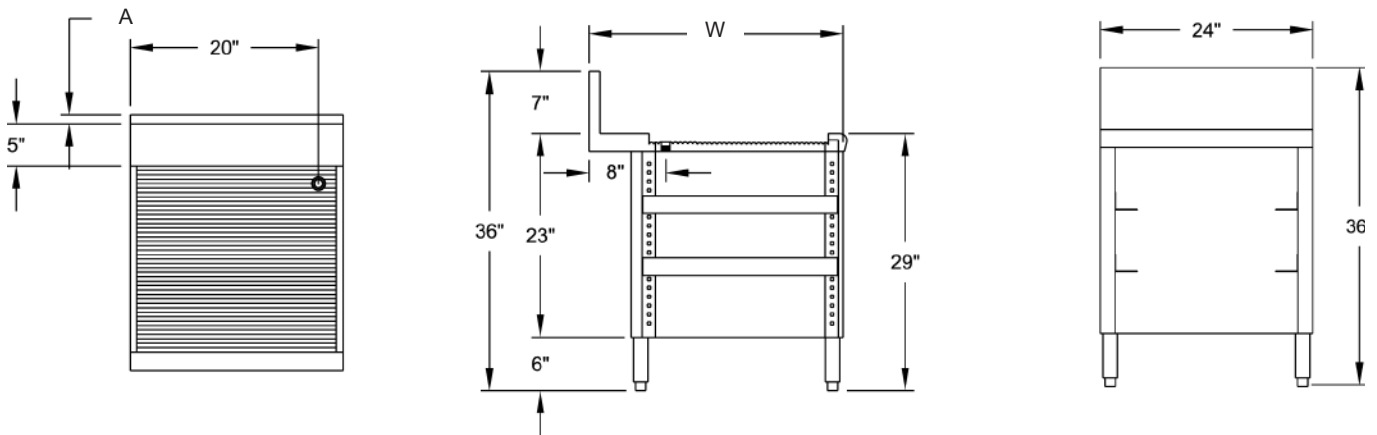
TOL Overall: $\pm .500"$ Interior: $\pm .250"$

ALL DIMENSIONS ARE TYPICAL

PROR Series



PRCR Series



PRSR Series

