

Prestige 19 Series

Spec Sheet No. PR-16

Job Name _____

Item # _____ Qty. _____

Model # _____

Drainboards

Drainboard

PRD-19-12
PRD-19-18
PRD-19-24
PRD-19-30
PRD-19-36
PRD-19-42
PRD-19-48



PRD-19-24 shown.

Specifications

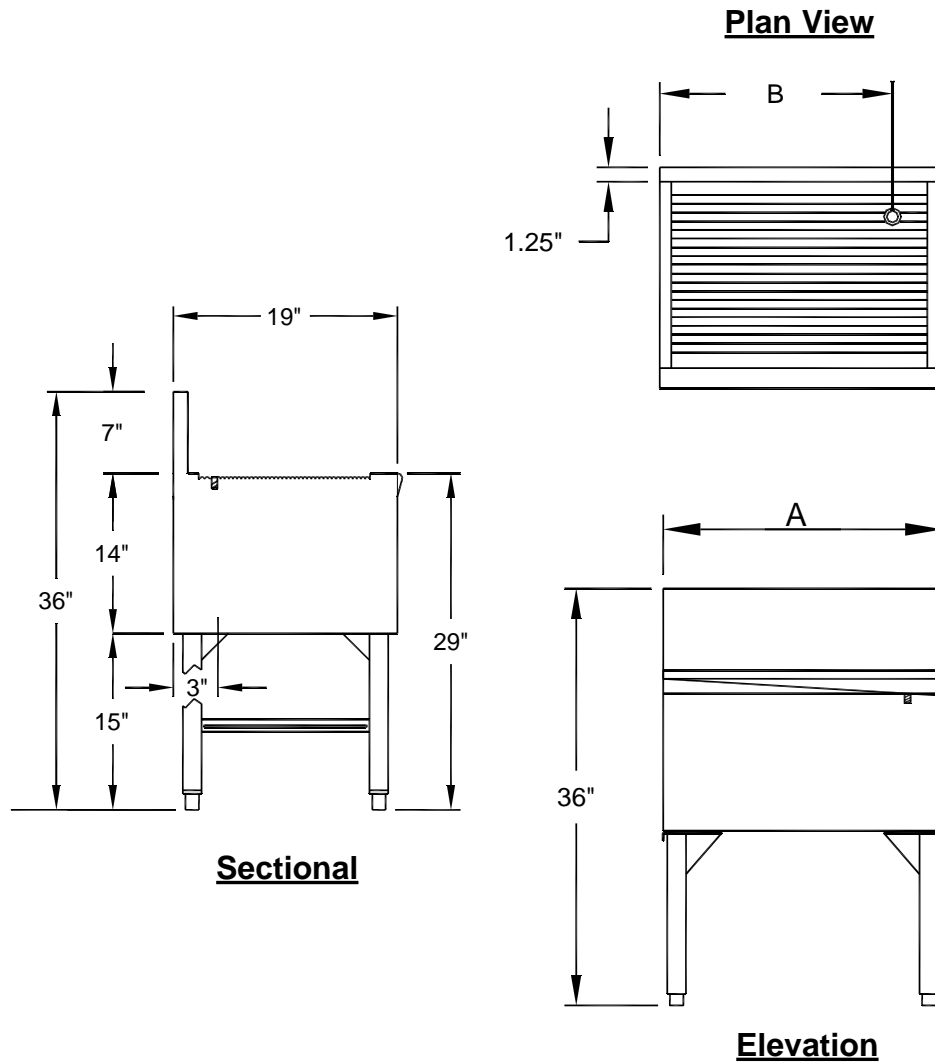
- **Drainboard:** 18 gauge 300 series stainless steel with continuous corrugation.
- **Front Apron:** 20 gauge 300 series stainless steel.
- **Plumbing:** 1" I.P.S. drain.
- **Backsplash:** 20 gauge 300 series stainless steel.
- **Molding:** 18 gauge 300 series stainless steel with #8 mirror finish.
- **Sides:** 20 gauge 300 series stainless steel.
- **Legs:** 14 gauge 300 series stainless steel mounting bracket with 1-5/8" O.D. 18 gauge 300 series stainless steel & 1" adjustable stainless steel bullet feet.



Supreme Metal

Toll Free: 800-645-2526
Fax: 770-740-6010
www.suprememetal.com

Prestige 19 Series



Model Number	Overall Length (A)	Distance to Drain (B)	Packaged Weight	Cubic Feet
PRD-19-12	12"	9"	38 Lbs.	4
PRD-19-18	18"	15"	45 Lbs.	7
PRD-19-24	24"	21"	52 Lbs.	8
PRD-19-30	30"	27"	59 Lbs.	11
PRD-19-36	36"	33"	65 Lbs.	11
PRD-19-42	42"	39"	70 Lbs.	11
PRD-19-48	48"	45"	75 Lbs.	15

SupremeMetal is constantly engaged in a program of improving their products. We reserve the right to change our specifications without prior notice.