

Blender Station w/ Drainboard 25" and 30" Wide Units



Item #:	_____	Qty #:	_____
Model #:	_____		
Project #:	_____		



PRDB-19 Series
25" Wide Units



PRDB-24 Series
30" Wide Units



15A - 120V Duplex
Receptacle Hidden
Beneath Blender Shelf



FEATURES:

- Removable perforated drainboard top.
- Recessed blender shelf with grommet hole.
- 15A - 120V electrical duplex outlet hidden beneath shelf for blenders.
- Sound deadened.
- Twist-action leg assembly.
- Stainless steel top, apron, sides and legs with adjustable stainless steel bullet feet.
- 7" backsplash.

PRDB-24 Series has rear deck for extra storage

MATERIAL:

- Drainboard:** 18 gauge, 300 stainless steel
- Body Sides & Backsplash:** 20 gauge, 300 stainless steel
- Blender Shelf Sides:** 14 gauge, 300 stainless steel
- Legs:** 1 5/8" O.D. 18 gauge, 300 stainless steel with 1" adjustable stainless steel bullet feet

MECHANICAL:

- 1" IPS drain
- 15A - 120V duplex receptacle

25" WIDE Model #	Approx. Weight	Approx. Cu. Ft.	30" WIDE Model #	Approx. Weight	Approx. Cu. Ft.	Overall Length (A)	Dist. To Drain (B)
PRDB-19-12	28 lbs.	9	PRDB-24-12	28 lbs.	11	12"	3"
PRDB-19-18	30 lbs.	9	PRDB-24-18	30 lbs.	11	18"	3"

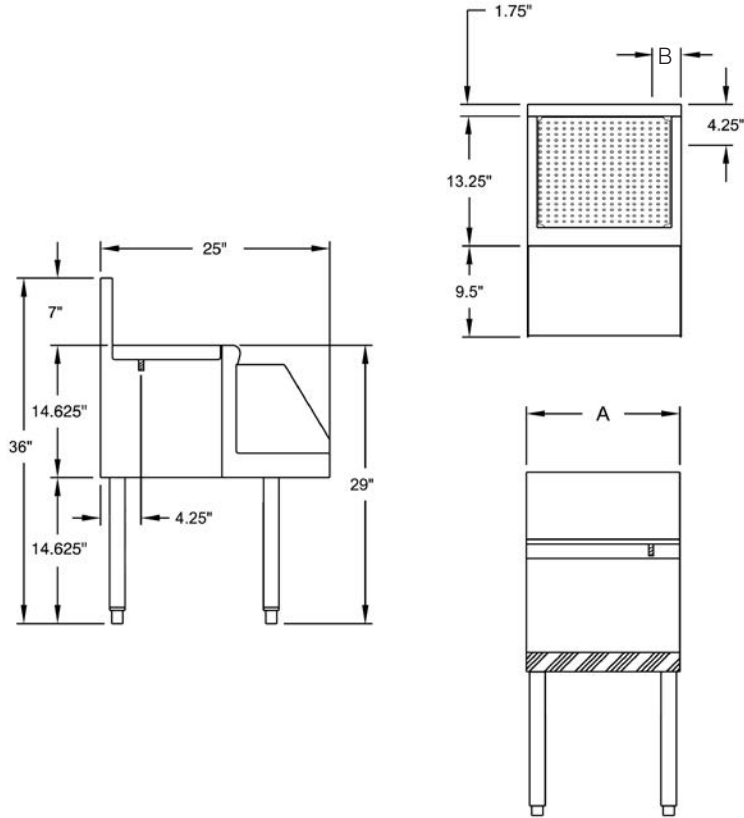
NOTE: Blender Stations Can Not Accommodate A Speed Rail

DIMENSIONS and SPECIFICATIONS

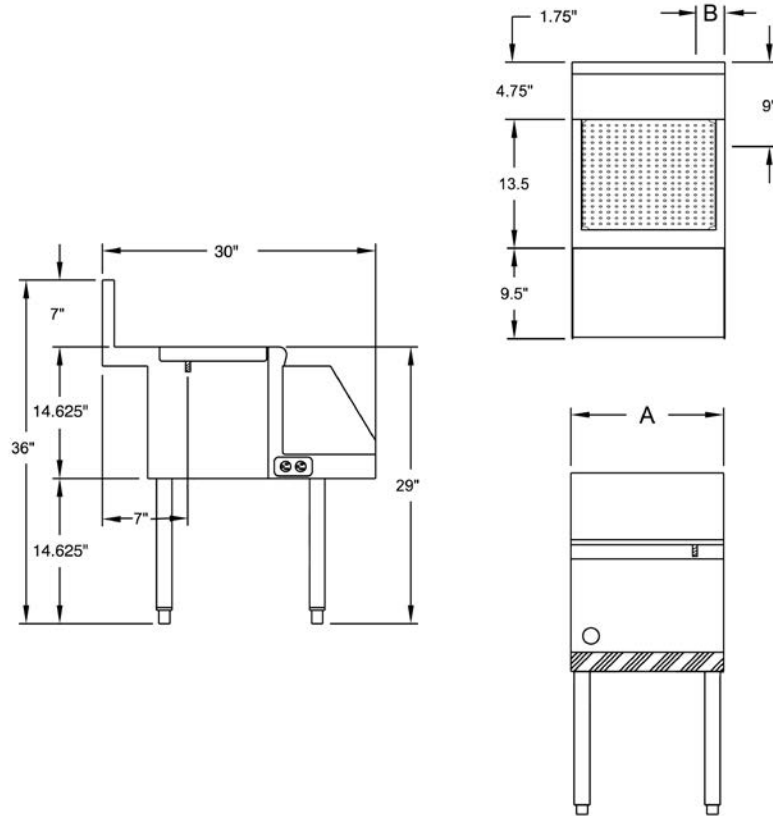
TOL Overall: $\pm .500''$ Interior: $\pm .250''$

ALL DIMENSIONS ARE TYPICAL

PRDB-19 Series



PRDB-24 Series



ADVANCE TABCO is constantly engaged in a program of improving our products. Therefore, we reserve the right to change specifications without prior notice.