



Prestige

All Stainless Steel Blender/Drainboard Combo 24" and 29" Wide Units

Item #: _____	Qty #: _____
Model #: _____	
Project #: _____	



PRDB-19 Series
24" Wide Units



PRDB-24 Series
29" Wide Units

FEATURES:

- Embossed and seamless drainboard.
- Blender shelf with hidden duplex 120V electrical outlet on the underside of the shelf.
- Undercoated to diminish sound.
- 7" backsplash.
- PRDB-24 Series** has 2 3/4" rear deck for extra storage

MATERIAL:

- Drainboard:** 18 gauge, 300 stainless steel
- Body Sides & Backsplash:** 20 gauge, 300 stainless steel
- Blender Shelf Sides:** 14 gauge, 300 stainless steel
- Legs:** 14 gauge, 300 stainless steel mounting bracket with 1 5/8" O.D. 18 gauge, 300 stainless steel with 1" adjustable stainless steel bullet feet

MECHANICAL:

- 1" IPS drain
- 15A - 120V duplex receptacle



24" WIDE Model #	Approx. Weight	Approx. Cu. Ft.	29" WIDE Model #	Approx. Weight	Approx. Cu. Ft.	Overall Length (A)	Dist. To Drain (B)
PRDB-19-12	28 lbs.	4	PRDB-24-12	28 lbs.	4	12"	3"
PRDB-19-16	30 lbs.	4	PRDB-24-16	30 lbs.	4	16"	3"

NOTE: These units cannot accommodate a speedrail.



Customer Service Available To Assist You 1-800-645-3166 8:30 am - 8:00 pm E.S.T.

For Orders & Customer Service:
Email: customer@advancetabco.com or Fax: 631-242-6900

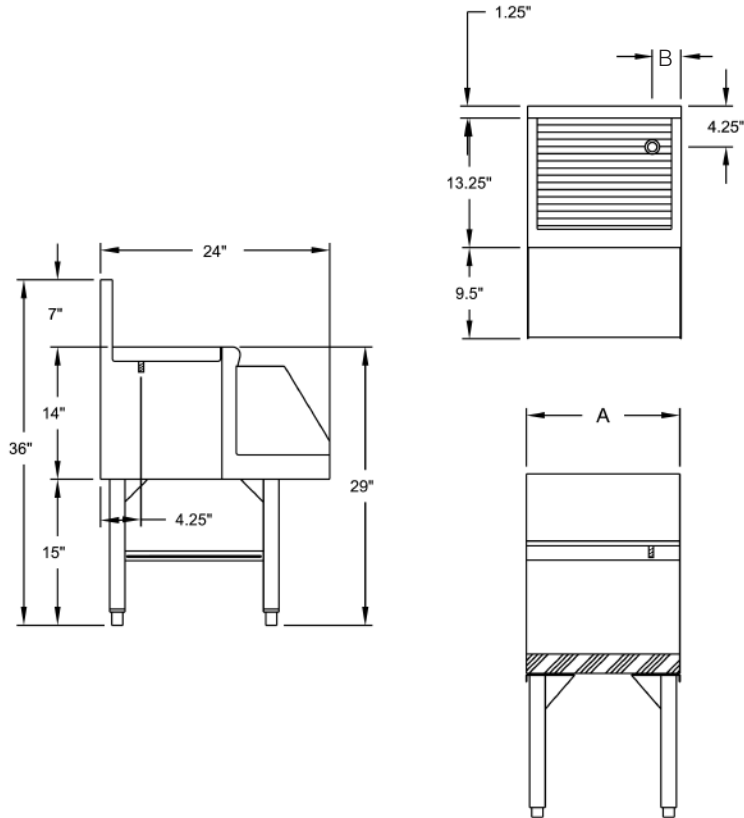
For Smart Fabrication™ Quotes:
Email: smartfab@advancetabco.com or Fax: 631-586-2933

DIMENSIONS and SPECIFICATIONS

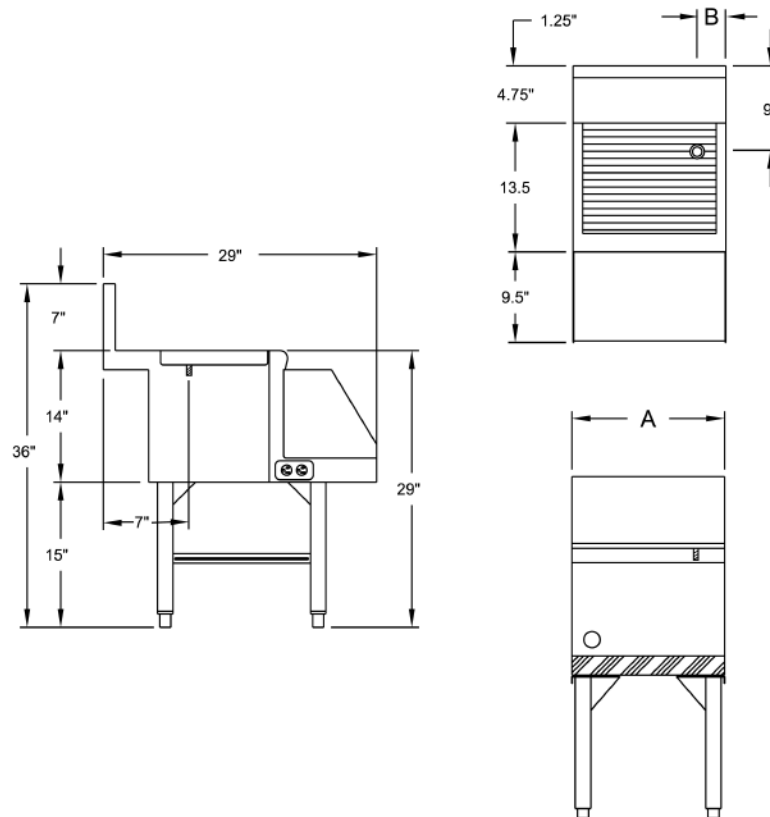
TOL Overall: $\pm .500"$ Interior: $\pm .250"$

ALL DIMENSIONS ARE TYPICAL

PRDB-19 Series



PRDB-24 Series



ADVANCE TABCO is constantly engaged in a program of improving our products. Therefore, we reserve the right to change specifications without prior notice.

© ADVANCE TABCO, JULY 2014