

FEATURES:

7" High X 1-3/4" Thick Backsplash.
Bolts to existing line-up equipment.
Removable perforated drainboard top.

OPTIONAL LEGS AVAILABLE

SU-14- Twist-Action Leg Assembly (set of 2)

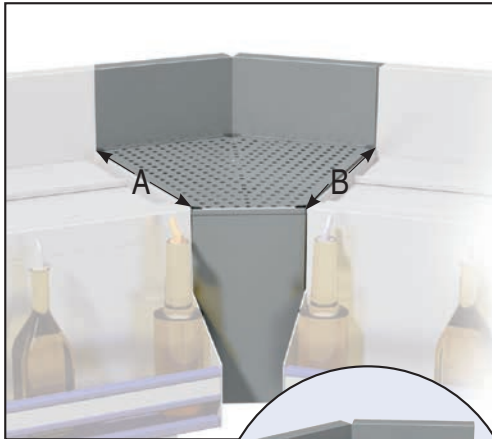
MECHANICAL:

1" IPS drain.
Removable perforated drainboard top.

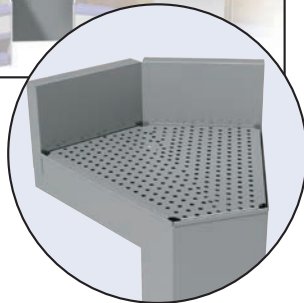
MATERIAL:

20 gauge, 300 stainless steel.
Drainboard: 18 gauge, 300 stainless steel.

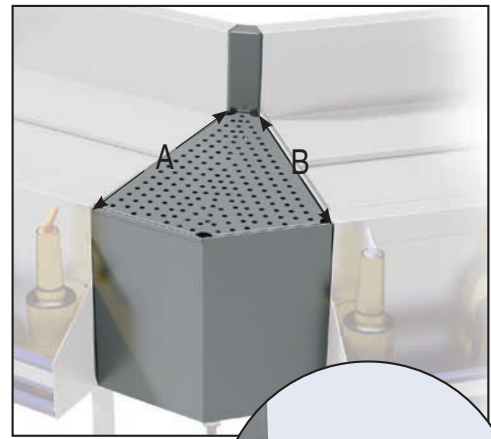
Item #: _____ Qty #: _____
Model #: _____
Project #: _____



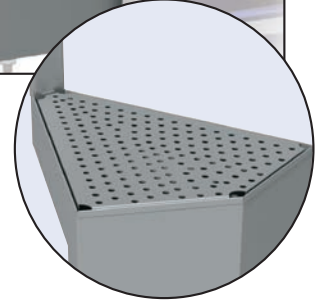
PRF-20-45IC



(Inside Corner)



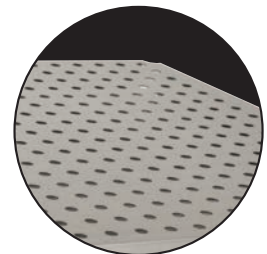
PRF-20-45OC



(Outside Corner)

Model #	Size (A) x (B)	Approx. Weight	Approx. Cu. Ft.
PRF-20-45IC or OC*	20" x 20"	82 lbs.	16
PRF-25-45IC or OC*	25" x 25"	84 lbs.	16

* IC = Inside Corner OC = Outside Corner



Removable Perforated Drainboard Top

PLEASE NOTE: FILLERS BUILT TO ORDER & CAN NOT BE RETURNED

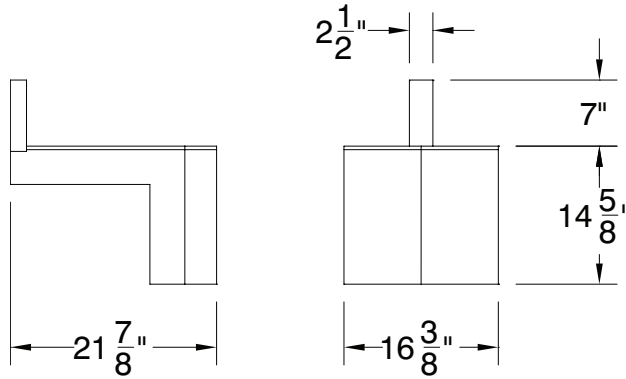
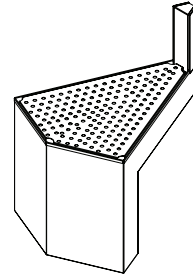
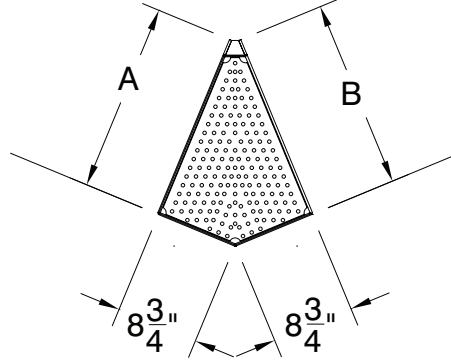
CUSTOM SIZES AVAILABLE - Consult Factory For Details

DIMENSIONS and SPECIFICATIONS

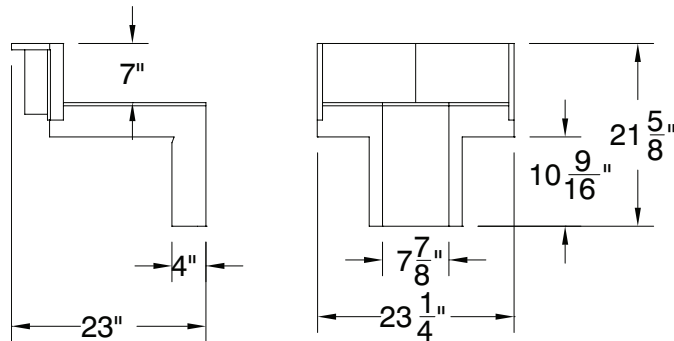
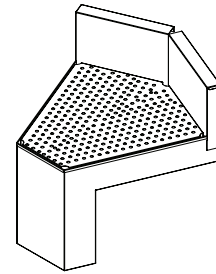
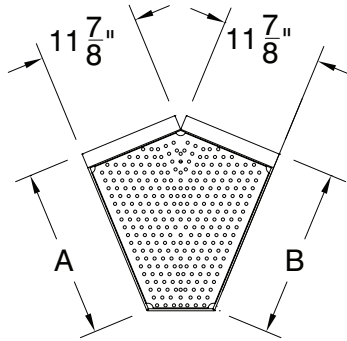
TOL Overall: $\pm .500''$ Interior: $\pm .250''$

ALL DIMENSIONS ARE TYPICAL

PRF Inside Corner Series (IC)



PRF Inside Corner Series (OC)



ADVANCE TABCO is constantly engaged in a program of improving our products. Therefore, we reserve the right to change specifications without prior notice.

© ADVANCE TABCO, JANUARY 2015