

## 90° CORNER DRAINBOARD UNDERBAR FILLERS



### FEATURES:

- 7" High X 1-3/4" Thick Backsplash.
- Bolts to existing line-up equipment
- Removable perforated drainboard top

### OPTIONAL LEGS AVAILABLE

**SU-14-** Twist-Action Leg Assembly (set of 2)

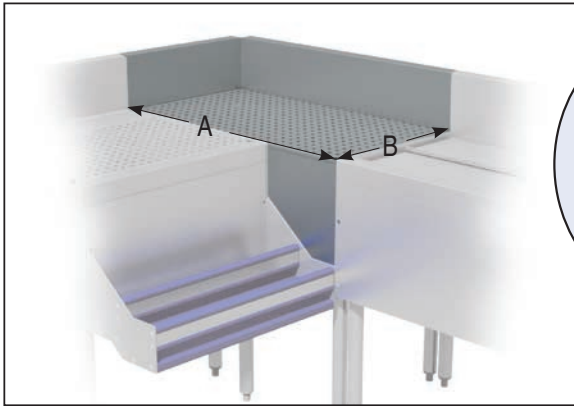
### MECHANICAL:

- 1" IPS drain.
- Removable perforated drainboard top

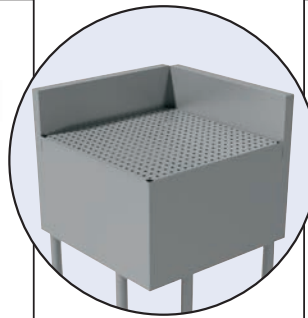
### MATERIAL:

- 20 gauge, 300 stainless steel
- Drainboard:** 18 gauge, 300 stainless steel

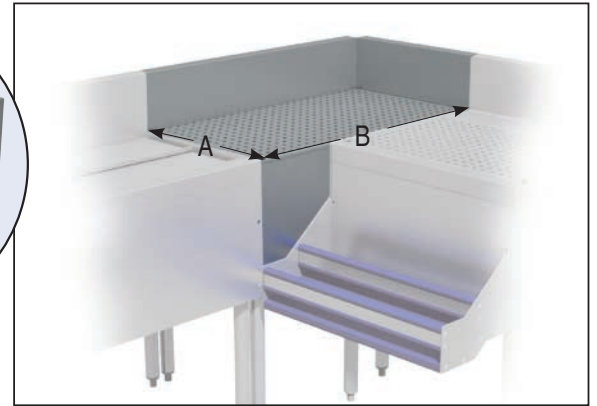
Item #:	_____	Qty #:	_____
Model #:	_____		
Project #:	_____		



**PRFD-3020**

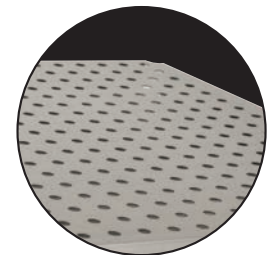


**PRFD-2525**  
Shown with  
Optional Legs  
(SU-14)



**PRFD-2030**

Model #	Size* (A) x (B)	Approx. Weight	Approx. Cu. Ft.
PRFD-2020	20" x 20"	68 lbs.	7
PRFD-2025	20" x 25"	72 lbs.	12
PRFD-2030	20" x 30"	78 lbs.	16
PRFD-2035	20" x 35"	82 lbs.	16
PRFD-2520	25" x 20"	69 lbs.	7
PRFD-2525	25" x 25"	73 lbs.	12
PRFD-2530	25" x 30"	79 lbs.	16
PRFD-2535	25" x 35"	83 lbs.	16
PRFD-3020	30" x 20"	78 lbs.	7
PRFD-3025	30" x 25"	79 lbs.	12
PRFD-3030	30" x 30"	82 lbs.	16
PRFD-3035	30" x 35"	86 lbs.	16
PRFD-3520	35" x 20"	82 lbs.	16
PRFD-3525	35" x 25"	83 lbs.	16
PRFD-3530	35" x 30"	86 lbs.	16
PRFD-3535	35" x 35"	90 lbs.	16



Removable Perforated  
Drainboard Top

\* "A" represents the distance on the left side from the back wall until the front edge of the left unit.  
"B" represents the distance on the right side from the back wall until the front edge of the right unit.

**PLEASE NOTE: FILLERS BUILT TO ORDER & CAN NOT BE RETURNED**

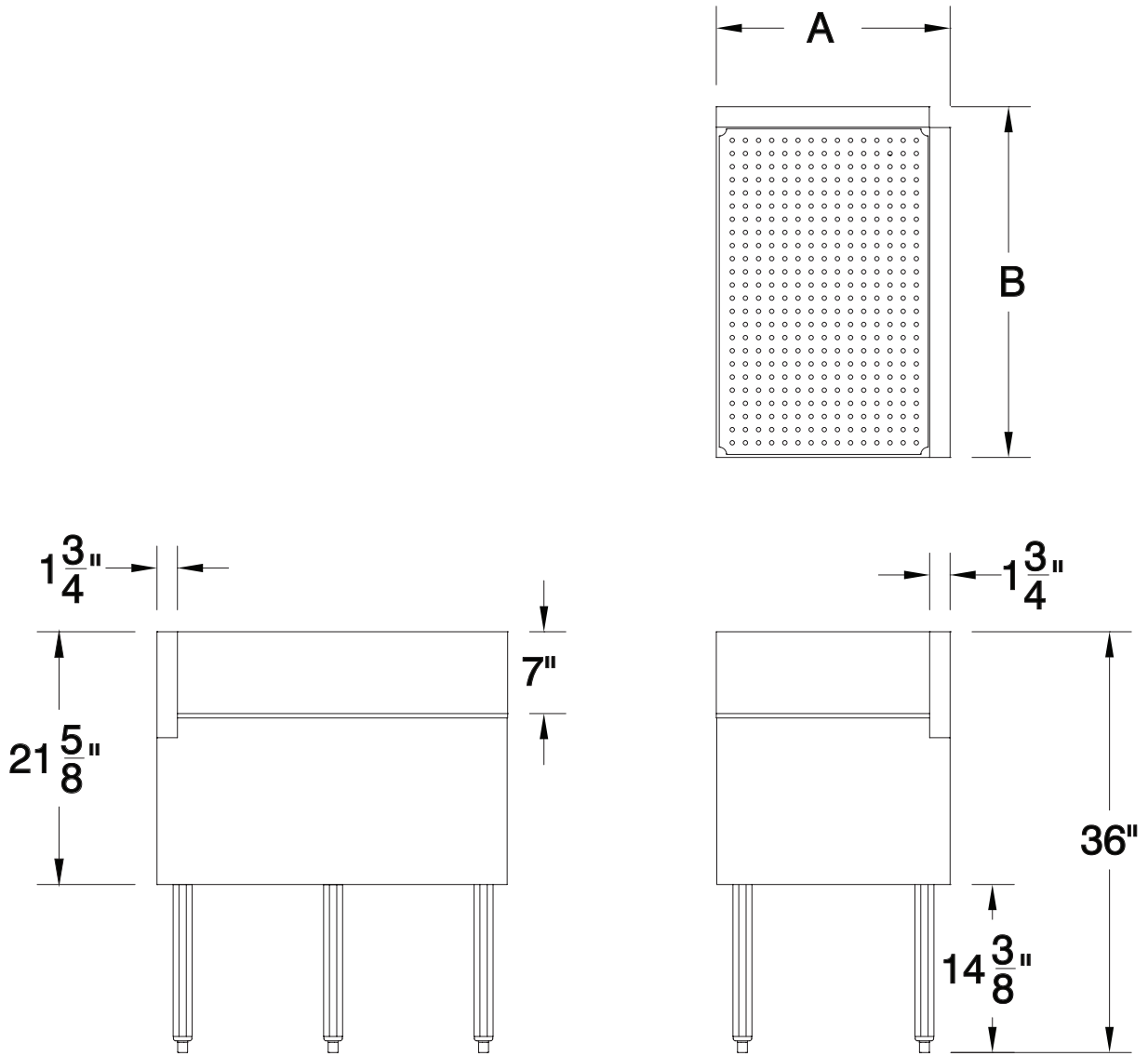
**CUSTOM SIZES AVAILABLE - Consult Factory For Details**

# DIMENSIONS and SPECIFICATIONS

TOL Overall:  $\pm .500''$  Interior:  $\pm .250''$

ALL DIMENSIONS ARE TYPICAL

## PRFD Series



Shown with Optional Legs SU-14)

