

## NSF All Stainless Steel Ice Bins 19" and 24" Wide Units



Shown With  
Optional  
Speed Rail

|                  |              |
|------------------|--------------|
| Item #: _____    | Qty #: _____ |
| Model #: _____   |              |
| Project #: _____ |              |

### FEATURES:

- 12" or 15" deep ice bin.
- Two removable injection molded 3-pack plastic bottle racks.
- Black polyethylene thermal breaker marine edge.
- Mirrored front molding.
- Heavy gauge stainless steel legs and bullet feet.
- Optional 10-circuit cold plate sealed into bottom of ice bin.

**Bottle Racks Must Be Removed For NSF Compliance  
And For Use With Optional Cover.**

### MECHANICAL:

- 1" IPS drain - non cold plate bin
- 1/2" IPS drain - cold plate bin

### MATERIAL:

- 20 gauge, 300 stainless steel
- Legs:** 1 5/8" O.D. 14 gauge, stainless steel with adjustable stainless steel bullet feet
- Edge:** Extruded black polyethylene
- Cold Plate:** Cast aluminum with 10 circuits (8 syrup and 2 water lines) with 5/16" diameter stainless steel bump and swedge ends.
- Ice Bin Insulation:** 2 lbs. density foam-in-place

### OPTIONAL:

- Stainless Steel Covers:
  - PRA-SSC-12** - fits 12" ice bin
  - PRA-SSC-24** - fits 24" ice bin
  - PRA-SSC-30** - fits 30" ice bin
  - PRA-SSC-36** - fits 36" ice bin
  - PRA-SSC-42** - fits 42" ice bin
  - PRA-SSC-48** - fits 48" ice bin

| 19" WIDE<br>Model # | Approx.<br>Weight | Approx.<br>Cu. Ft. | 24" WIDE<br>Model # | Approx.<br>Weight | Approx.<br>Cu. Ft. | Overall Length<br>(A) | Distance To Drain<br>(B) | Ice Bin<br>Depth | Ice Bin<br>Capacity |
|---------------------|-------------------|--------------------|---------------------|-------------------|--------------------|-----------------------|--------------------------|------------------|---------------------|
| PRI-19-12           | 40 lbs.           | 6                  | PRI-24-12           | 45 lbs.           | 6                  | 12"                   | 6"                       | 12"              | 32 lbs.             |
| PRI-19-24           | 65 lbs.           | 9                  | PRI-24-24           | 70 lbs.           | 11                 | 24"                   | 12"                      | 12"              | 70 lbs.             |
| PRI-19-30           | 70 lbs.           | 13                 | PRI-24-30           | 75 lbs.           | 16                 | 30"                   | 15"                      | 12"              | 89 lbs.             |
| PRI-19-36           | 75 lbs.           | 13                 | PRI-24-36           | 80 lbs.           | 16                 | 36"                   | 18"                      | 12"              | 108 lbs.            |
| PRI-19-42           | 80 lbs.           | 14                 | PRI-24-42           | 85 lbs.           | 17                 | 42"                   | 21"                      | 12"              | 127 lbs.            |
| PRI-19-48           | 85 lbs.           | 14                 | PRI-24-48           | 90 lbs.           | 17                 | 48"                   | 24"                      | 12"              | 146 lbs.            |
| PRI-19-24-XD        | 80 lbs.           | 13                 | PRI-24-24-XD        | 85 lbs.           | 15                 | 24"                   | 12"                      | 15"              | 80 lbs.             |
| PRI-19-30-XD        | 85 lbs.           | 14                 | PRI-24-30-XD        | 90 lbs.           | 16                 | 30"                   | 15"                      | 15"              | 121 lbs.            |
| PRI-19-36-XD        | 90 lbs.           | 16                 | PRI-24-36-XD        | 95 lbs.           | 19                 | 36"                   | 18"                      | 15"              | 147 lbs.            |

### With 10-Circuit Cold Plate

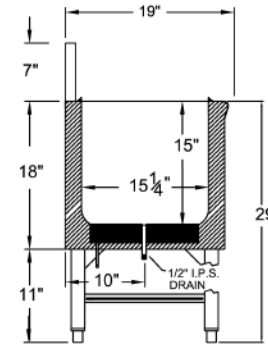
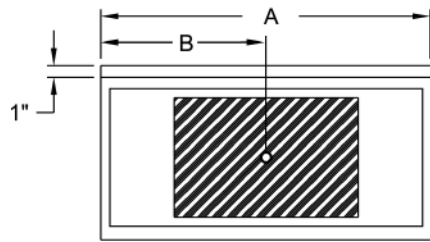
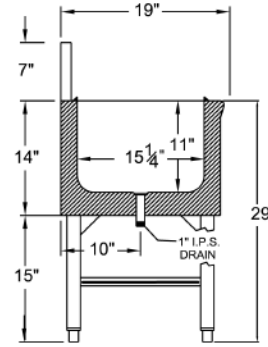
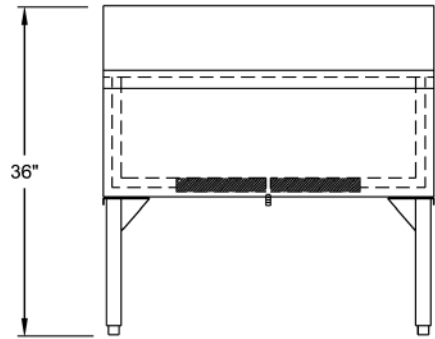
|                 |          |    |                 |          |    |     |     |     |          |
|-----------------|----------|----|-----------------|----------|----|-----|-----|-----|----------|
| PRI-19-24-10    | 135 lbs. | 9  | PRI-24-24-10    | 140 lbs. | 11 | 24" | 12" | 12" | 70 lbs.  |
| PRI-19-30-10    | 140 lbs. | 13 | PRI-24-30-10    | 145 lbs. | 16 | 30" | 15" | 12" | 89 lbs.  |
| PRI-19-36-10    | 145 lbs. | 13 | PRI-24-36-10    | 150 lbs. | 16 | 36" | 18" | 12" | 108 lbs. |
| PRI-19-42-10    | 150 lbs. | 14 | PRI-24-42-10    | 155 lbs. | 17 | 42" | 21" | 12" | 127 lbs. |
| PRI-19-48-10    | 155 lbs. | 14 | PRI-24-48-10    | 160 lbs. | 17 | 48" | 24" | 12" | 146 lbs. |
| PRI-19-24-10-XD | 160 lbs. | 13 | PRI-24-24-10-XD | 165 lbs. | 15 | 24" | 12" | 15" | 80 lbs.  |
| PRI-19-30-10-XD | 165 lbs. | 14 | PRI-24-30-10-XD | 170 lbs. | 16 | 30" | 15" | 15" | 121 lbs. |
| PRI-19-36-10-XD | 170 lbs. | 16 | PRI-24-36-10-XD | 175 lbs. | 19 | 36" | 18" | 15" | 147 lbs. |

# DIMENSIONS and SPECIFICATIONS

TOL Overall:  $\pm .500''$  Interior:  $\pm .250''$

ALL DIMENSIONS ARE TYPICAL

## PRI-19 Series



## PRI-24 Series

