



PRESTIGE
Signature Series

Blender Station w/ Deep Drawn Sink 25" and 30" Wide Units

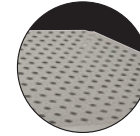
Item #:	_____	Qty #:	_____
Model #:	_____		
Project #:	_____		



PRRS-19 Series
25" Wide Units With A
Splash Mount Faucet



PRRS-24 Series
30" Wide Units With A
Deck Mount Faucet



**Removable Perforated
Drainboard Top**



**Deep Drawn
Seamless Sink Bowl**



**15A - 120V Duplex Receptacle
Hidden Beneath Blender Shelf**

FEATURES:

- One piece recessed **Deep Drawn** sink measuring 9" X 9" X 4".
- Recessed blender shelf with grommet hole.
- 15A - 120V electrical duplex outlet hidden beneath shelf for blenders.
- Sound deadened.
- Twist-action leg assembly.
- Stainless steel top, apron, sides and legs with adjustable plastic bullet feet.
- 7" backsplash.
- PRRS-24 Series** has rear deck for extra storage

MECHANICAL:

- PRRS-19 Series:** Includes K-59 splash mount gooseneck faucet.
- PRRS-24 Series:** Includes K-52 deck mount gooseneck faucet.
- All faucets meet federal lead free standards.**
- 3 1/2" basket drain with 1/2" IPS
- 15A - 120V duplex receptacle



MATERIAL:

- 20 gauge, 300 stainless steel
- Blender Shelf Sides:** 14 gauge, 300 stainless steel
- Legs:** 1 5/8" O.D. 18 gauge, 300 stainless steel with 1" adjustable stainless steel bullet feet

25" WIDE Model #	Approx. Weight	Approx. Cu. Ft.	30" WIDE Model #	Approx. Weight	Approx. Cu. Ft.	Overall Length (L)
PRRS-19-12	28 lbs.	9	PRRS-24-12	30 lbs.	11	12"
PRRS-19-16	40 lbs.	9	PRRS-24-16	47 lbs.	11	16"

NOTE: Blender Stations Can Not Accommodate A Speed Rail



Customer Service Available To Assist You 1-800-645-3166 8:30 am - 8:00 pm E.S.T.

For Orders & Customer Service:
Email: customer@advancetabco.com or Fax: 631-242-6900

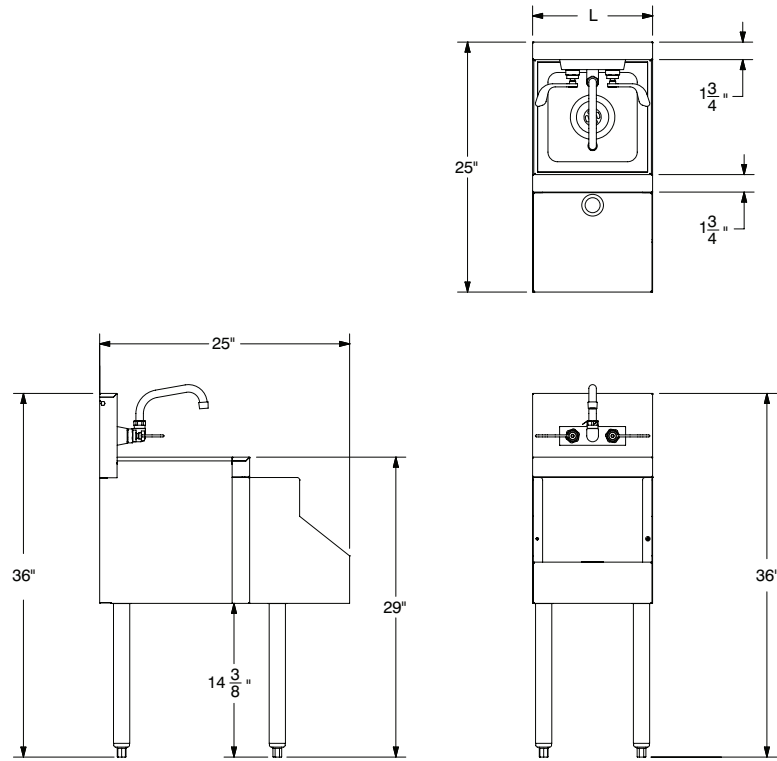
For Smart Fabrication™ Quotes:
Email: smartfab@advancetabco.com or Fax: 631-586-2933

DIMENSIONS and SPECIFICATIONS

TOL Overall: $\pm .500''$ Interior: $\pm .250''$

ALL DIMENSIONS ARE TYPICAL

PRRS-19 Series



PRRS-24 Series

