



Prestige

ALL STAINLESS STEEL OVERSHELF FOR PASS-THRU WORKSTATIONS NSF

15" Wide



Item #: _____	Qty #: _____
Model #: _____	
Project #: _____	

FEATURES:

- Removable perforated pan
- Tubular legs
- Choose from single over shelf, double over shelf or double over shelf with stemware glass rack

MATERIAL:

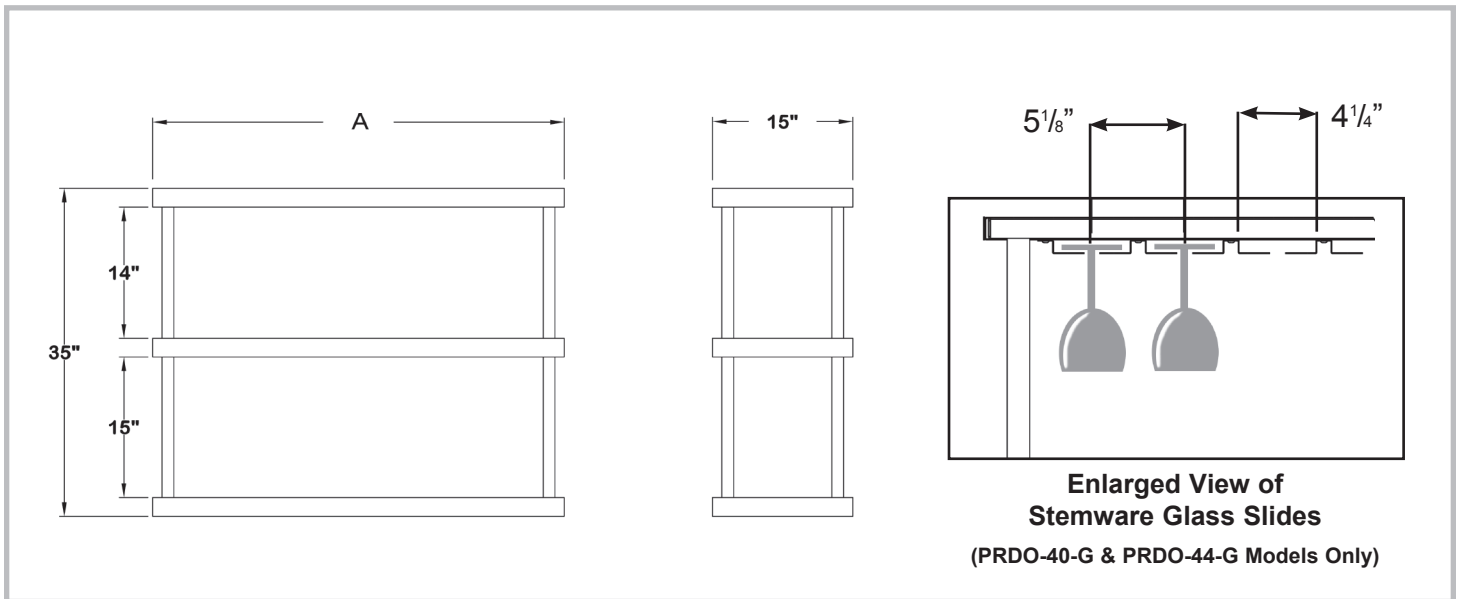
- 20 gauge, 300 stainless steel
- Stemware Slides:** 18 gauge, 302 stainless steel

15" WIDE		Overall Length (A)	Description	Approx. Weight	Approx. Cu. Ft.
SINGLE	PRSO-40	40"	Single Overshelf For Small Station	60 lbs.	4
	PRSO-44	44"	Single Overshelf For Large Station	65 lbs.	5
DOUBLE	PRDO-40	40"	Double Overshelf For Small Station	120 lbs.	16
	PRDO-44	44"	Double Overshelf For Large Station	125 lbs.	17
	PRDO-40-G	40"	Double Overshelf w/ Stemware Glass Rack	140 lbs.	16
	PRDO-44-G	44"	Double Overshelf w/ Stemware Glass Rack	145 lbs.	17

DIMENSIONS and SPECIFICATIONS

TOL Overall: ± .500" Interior: ± .250"

ALL DIMENSIONS ARE TYPICAL



Customer Service Available To Assist You 1-800-645-3166 8:30 am - 8:00 pm E.S.T.

For Orders & Customer Service:
Email: customer@advancetabco.com or Fax: 631-242-6900

For Smart Fabrication™ Quotes:
Email: smartfab@advancetabco.com or Fax: 631-586-2933