



STAINLESS STEEL
DROP-IN SINKS
 Smart Series™ Single Bowl Classroom Sinks



SCH-1-2317
 Shown w/ Optional
 Faucet & Bubbler



SCH-1-2517L
 Shown



SCH-1-3119L
 Shown

Item #: _____ **Qty #:** _____

Model #: _____

Project #: _____

FEATURES:

One piece seamless **Deep Drawn** stainless steel bowl.
 Sink bowls are sound deadened.
 Self rimming design.
 Units feature Advance Tabco's **Smart Finish™**.
 Mounting clips provided accommodate all thicknesses of counter.

MATERIALS:

18 Gauge, 304 Stainless Steel .
 1 1/2" IPS Stainless Steel basket drain included.

DESIGN:

Units are punched with 1 1/4" diameter faucet holes.

OPTIONAL:

K-472 Faucet Hole Revision



STANDARD MOUNTING CLIPS

For countertops over 7/8" and up to 2" thick.
 Replacement # **K-28** (Per Sink)

MODEL#	COMPS	OVERALL LxW	BOWL SIZE LxW	DEPTH*	CUTOUT (1 1/4" RADIUS CORNERS)
SCH-1-2317	1	23"x17"	16"x14"	7 1/2"	22 1/4"x16 1/4"
SCH-1-2517L or R	1	25"x17"	16"x14"	7 1/2"	24 1/4" x16 1/4"
SCH-1-3119L or R	1	31"x19"	20"x16"	7 1/2"	30 1/4" x18 1/4"

Length is Left to Right. Width is Front to Back

Available Faucets & Accessories

	Model #	Qty
Single Handle Faucet	K-48	
Push button bubbler with flexible mouth guard	K-47	
Mounting Clips (Bag of 4).	K-28	



Standard Faucet conforms to NSF 61 Standard 9. Faucets Are AB1953 Lead Free Compliant.



Customer Service Available To Assist You 1-800-645-3166 8:30 am - 8:00 pm E.S.T.

Email Orders To: customer@advancetabco.com. For Smart Fabrication™ Quotes, Email To: smartfab@advancetabco.com or Fax To: 631-586-2933

NEW YORK
 Fax: (631) 242-6900

GEORGIA
 Fax: (770) 775-5625

TEXAS
 Fax: (972) 932-4795

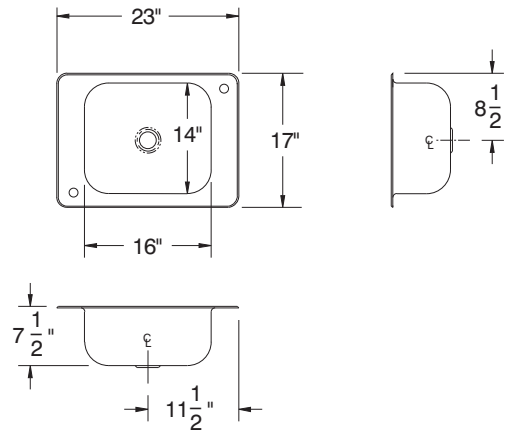
NEVADA
 Fax: (775) 972-1578

DIMENSIONS and SPECIFICATIONS

TOL ± .125"

ALL DIMENSIONS ARE TYPICAL

SCH-1-2317

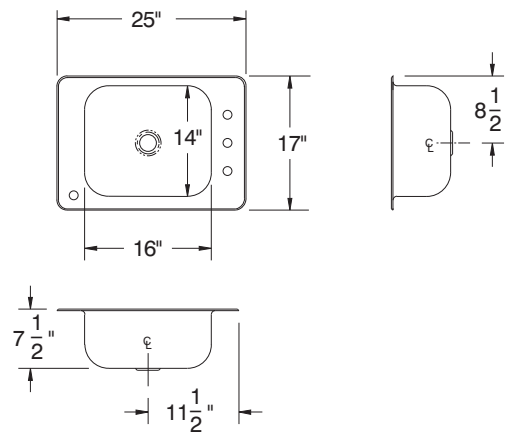


Cut-Out Size
22 1/4" x 16 1/4"
1 1/4" radius corners

Approx. Wt. 16 lbs.

SCH-1-2517L Shown

(R or L indicates Bubbler Location)

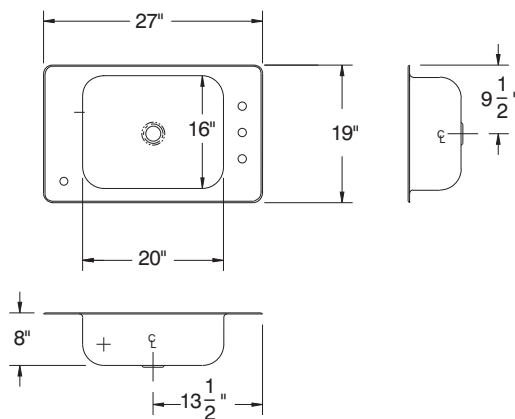


Cut-Out Size
24 1/4" x 16 1/4"
1 1/4" radius corners

Approx. Wt. 18 lbs.

SCH-1-3119L Shown

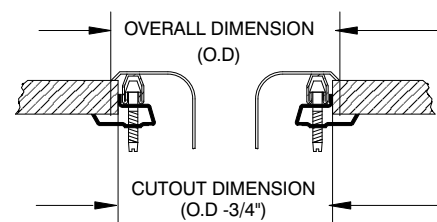
(R or L indicates Bubbler Location)



Cut-Out Size
30 1/4" x 18 1/4"
1 1/4" radius corners

Approx. Wt. 19 lbs.

TYPICAL INSTALLATION



Cut-Out Size = L to R x F to B

**Standard Mounting Clips Fit
Countertops Over 7/8" & Up To 2" Thick.**

