



STAINLESS STEEL CAFETERIA FOOD SHIELD WITH STAINLESS STEEL SHELF



Maximum Glass Opening is 1-1/2" From
Table to Bottom of Glass

Item #: _____ **Qty #:** _____
Model #: _____
Project #: _____



Adjust Food Shield with Ease!
No Tools Required!

FEATURES:

Adjustable Food Shield With Brackets. No Tools Required.
 1/4" Thick Heat-Tempered Glass.
 Includes Two 18" Wide x 15-3/8" High Side Glass Panels.
 Stainless Steel Shelving Available In 12" or 15" Widths.
 Shelves have two rolled edges on front & back and two square
 edges on left & right sides.
 1-5/8" Stainless Steel Posts.

CONSTRUCTION:

All TIG welded.
 Exposed stainless steel surfaces polished to a satin finish.

MATERIAL:

Food Shield - 1/4" Thick Heat-Tempered Glass.
 Shelf - 18 Ga., Type 430 Stainless Steel.
 Posts - 1-5/8" diameter, Stainless Steel.



Includes Glass Side Panels
 Standard 18" Wide x 15-3/8" High Panel
 (Panel must be a minimum width of 18" to meet NSF requirements)

Length	12" Wide (305mm)	15" Wide (381mm)	18" Wide (381mm)
36"	SGC-12-36	SGC-15-36	SGC-18-36
48"	SGC-12-48	SGC-15-48	SGC-18-48
60"	SGC-12-60	SGC-15-60	SGC-18-60
72"	SGC-12-72	SGC-15-72	SGC-18-72
84"	SGC-12-84	SGC-15-84	SGC-18-84
96"	SGC-12-96	SGC-15-96	SGC-18-96
108"	SGC-12-108	SGC-15-108	SGC-18-108
120"	SGC-12-120	SGC-15-120	SGC-18-120
132"	SGC-12-132	SGC-15-132	SGC-18-132
144"	SGC-12-144	SGC-15-144	SGC-18-144

Standard Shelf Height is 18" From
Top of Table to Top of Shelf
CUSTOM HEIGHT SIZES AVAILABLE!

24" Wide Shelving Available
Contact Customer Service For More Info

NOTE: Food Shield Glass Cannot Exceed 48" Length Per Shield.
 Shelves 8' or Longer Includes Center Leg Support.



Customer Service Available To Assist You **1-800-645-3166** 8:30 am - 8:00 pm E.S.T.
 Email Orders To: customer@advancetabco.com. For Smart Fabrication™ Quotes, Email To: smartfab@advancetabco.com or Fax To: 631-586-2933

NEW YORK
 Fax: (631) 242-6900

GEORGIA
 Fax: (770) 775-5625

TEXAS
 Fax: (972) 932-4795

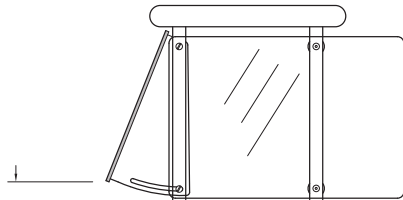
NEVADA
 Fax: (775) 972-1578

DETAILS and SPECIFICATIONS

TOL ± .500"

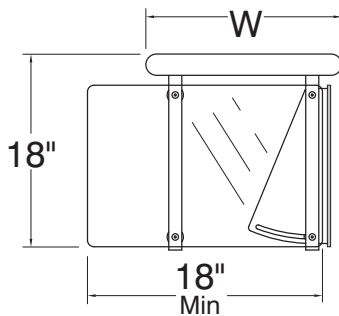
ALL DIMENSIONS ARE TYPICAL

CAFETERIA FOOD SHIELD WITH STAINLESS STEEL SHELF

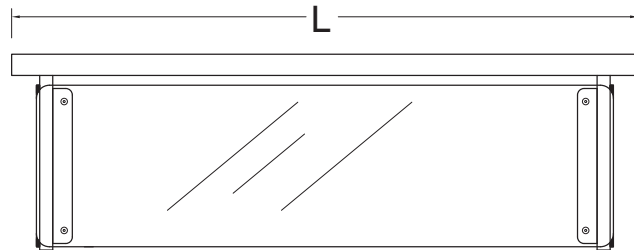


1 1/2"
(MAX)

SIDE VIEW
(Glass Open)



SIDE VIEW
(Glass Closed)



Front View

L	12" Wide (W) (305mm)		15" Wide (W) (381mm)		18" Wide (W) (457mm)		Approx. Cubes
	SGC-Code	Approx. Wt.	SGC-Code	Approx. Wt.	SGC-Code	Approx. Wt.	
36"	SGC-12-36	35 lbs.	SGC-15-36	40 lbs.	SGC-18-36	50 lbs.	3
48"	SGC-12-48	40 lbs.	SGC-15-48	45 lbs.	SGC-18-48	55 lbs.	4
60"	SGC-12-60	45 lbs.	SGC-15-60	50 lbs.	SGC-18-60	60 lbs.	6
72"	SGC-12-72	50 lbs.	SGC-15-72	55 lbs.	SGC-18-72	65 lbs.	7
84"	SGC-12-84	60 lbs.	SGC-15-84	65 lbs.	SGC-18-84	70 lbs.	8
96"	SGC-12-96	70 lbs.	SGC-15-96	75 lbs.	SGC-18-96	80 lbs.	9
108"	SGC-12-108	80 lbs.	SGC-15-108	85 lbs.	SGC-18-108	90 lbs.	10
120"	SGC-12-120	90 lbs.	SGC-15-120	95 lbs.	SGC-18-120	100 lbs.	11
132"	SGC-12-132	100 lbs.	SGC-15-132	105 lbs.	SGC-18-132	115 lbs.	12
144"	SGC-12-144	105 lbs.	SGC-15-144	110 lbs.	SGC-18-144	120 lbs.	13

