



STAINLESS STEEL VERTICAL FOOD SHIELD

24" Standard Front Glass Height



Shown with Custom Vinyl Wrap

FEATURES:

- 1/4" Thick Heat-Tempered Glass*
- Two Glass Side Panels
- 1" Stainless Steel Tubing with End Caps
(1 5/8" Tubing Also Available)
- Includes Standard Concealed Mounting Hardware

CONSTRUCTION:

- All TIG welded.
- Requires Allen Wrench (Not Included)

Item #: _____ Qty #: _____

Model #: _____

Project #: _____

MODEL #	Nominal Length (L)	Clearance Length (A)	O. A. Length (B)	Approx. Wt.	Approx. Cubes
SGCC-36	36"	35"	37"	50 lbs.	6
SGCC-48	48"	47"	49"	60 lbs.	8
SGCC-60*	60"	59"	61"	78 lbs.	10
SGCC-72	72"	71"	73"	80 lbs.	16
SGCC-84	84"	83"	85"	90 lbs.	19
SGCC-96	96"	95"	97"	93 lbs.	22
SGCC-108*	108"	107"	109"	126 lbs.	25
SGCC-120*	120"	119"	121"	134 lbs.	28
SGCC-132*	132"	131"	133"	144 lbs.	31
SGCC-144*	144"	143"	145"	154 lbs.	34

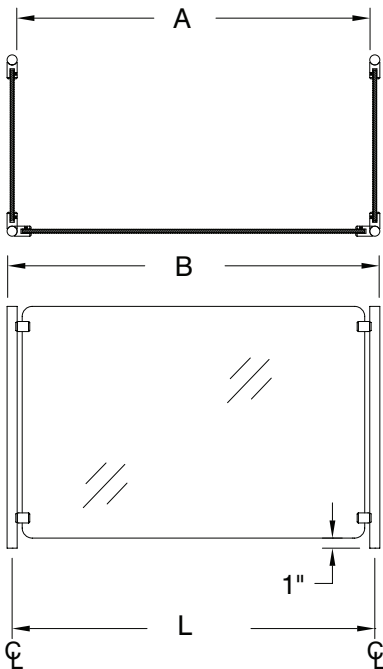
*3/8" Thick Heat-Tempered Front Glass

- NSF Requires 60" Minimum Height Above Finished Floor
- NSF Requires 6" Maximum Clearance From Top of Table to Bottom of Glass

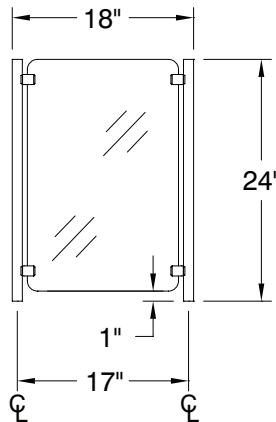
TOL ± .500"

DETAILS and SPECIFICATIONS

ALL DIMENSIONS ARE TYPICAL

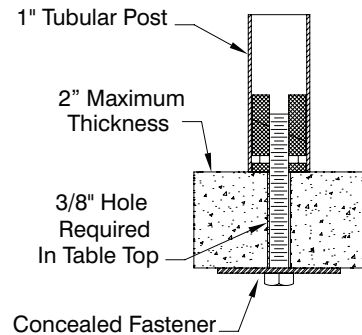


NOTE: Glass panels that exceed 66" will require a center support/posts.



Standard Concealed Mounting Hardware

Requires access below counter for installation.



SG-1
Fits 1" Posts

Surface Mounting Brackets

Use when access below countertop is not available.

(Compatible With All Advance Tabco Food Shields)



Customer Service Available To Assist You **1-800-645-3166** 8:30 am - 8:00 pm E.S.T.

Email Orders To: customer@advancetabco.com. For Smart Fabrication™ Quotes, Email To: smartfab@advancetabco.com or Fax To: 631-586-2933

NEW YORK
Fax: (631) 242-6900

GEORGIA
Fax: (770) 775-5625

TEXAS
Fax: (972) 932-4795

NEVADA
Fax: (775) 972-1578