

Item #: _____ **Qty #:** _____
Model #: _____
Project #: _____




Shown With
3 Tier Drawer Set Up

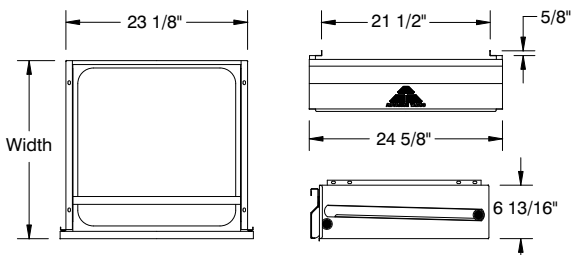


Revolutionary New SHD Series Drawer with Integral Drawer Slides

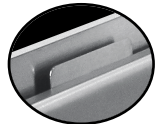
- Stainless Steel Front & Sides
- Self Closing Drawer with Noise Control
- Drawer "Safety Stop" Tab
- Removable Stainless Steel Inset
- Units Can Be Stacked to Create Multiple Tier Drawers
- Hardware Included
- NSF Approved



| MODEL # | Width | Description | Inset |
|----------|---------|-----------------|----------------|
| SHD-2015 | 17 1/2" | Stainless Steel | 20" x 15" x 5" |
| SHD-2020 | 22 3/4" | Stainless Steel | 20" x 20" x 5" |



**Drawers Stack with Ease
to Create Tier Drawers!**
Easily installs in field



Features a
"Safety Stop" Tab

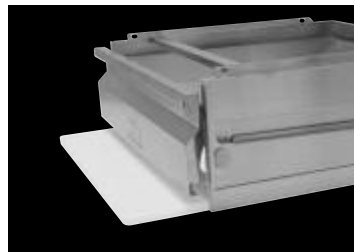
OPTIONAL CONCEALED SIDE PANELS For 20"x20" Drawers (1 for needed each side)



1 Tier Drawer: TA-SHD-1 each side
2 Tier Drawers: TA-SHD-2 each side
3 Tier Drawers: TA-SHD-3 each side

SHD SERIES MODIFICATIONS & ACCESSORIES

- Concealed Side Panel for 20"x15" Drawer TA-2 ea.
- Drawer Lock TA-14SHD
- Pad Lock Hasp..... TA-13
- Drawers Modified To
15" L/R x 20" F/B TA-50
- Poly Board Storage Brackets
For SHD Drawers TA-97SHD
- 5/8" Thick Poly Board Cutting Boards
For SHD Drawers TA-41SHD ea.



TA-97SHD Polyboard Storage Bracket
(Installs in field. Hardware Included)



Rear View of Multiple Stacked Drawers
Drawer Seam Exposed