

**Item #:** \_\_\_\_\_ **Qty #:** \_\_\_\_\_  
**Model #:** \_\_\_\_\_  
**Project #:** \_\_\_\_\_



SR Series with  
Optional Casters



BSR Series

**FEATURES:**

**SR Series -** TOP features 3" raised edge. Stainless steel cross bracing all sides.

**BSR Series -** TOP features 3" raised edge. Stainless steel cross bracing 3 sides.  
10 1/2" backsplash standard with tile edge.

Optional casters and drain hole available.

**CONSTRUCTION:**

**SR SERIES:** TIG welded. Welded side cross bracing, bolted front and rear cross bracing.

**BSR SERIES:** All TIG welded. Welded side cross bracing, bolted rear cross bracing.

**MATERIAL:**

**TOP:** 16 gauge stainless steel type "304" series.

**LEGS and GUSSETS:** Stainless steel legs & gussets.

3"  
Raised  
Edge  
  
10 1/2"  
Backsplash

MODEL #	Length	Width	Wt.
SR-48	48"	30"	63 lbs.
SR-60	60"	30"	77 lbs.
SR-72	72"	30"	83 lbs.
SR-96	96"	30"	90 lbs.
BSR-48	48"	30"	69 lbs.
BSR-60	60"	30"	84 lbs.
BSR-72	72"	30"	91 lbs.
BSR-96	96"	30"	99 lbs.

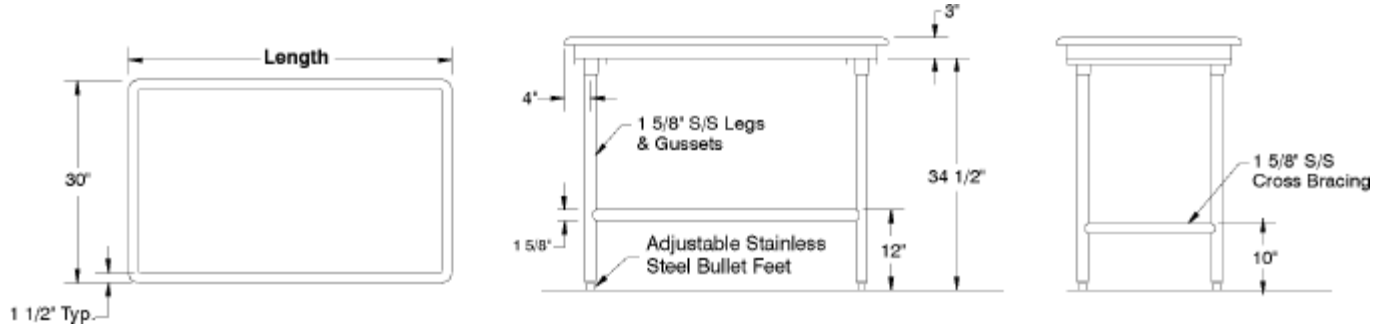
ACCESSORIES	Model #	Qty
Drain Hole	DTA-40	
Casters	TA-255	

# DIMENSIONS and SPECIFICATIONS

TOL ± .500"

ALL DIMENSIONS ARE TYPICAL

## SR Series



## BSR Series

