



Job Name \_\_\_\_\_

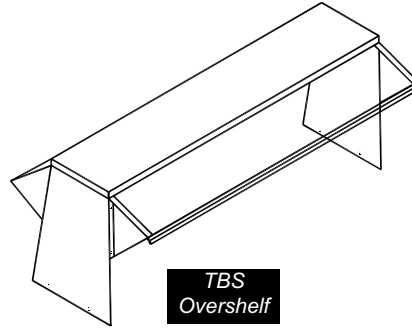
Item # \_\_\_\_\_

# FOOD SERVICE EQUIPMENT

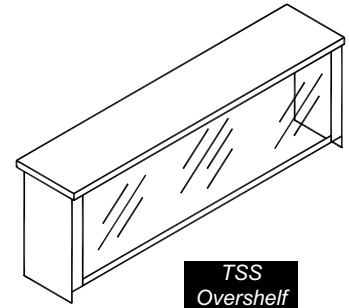
Spec Sheet No. TR-22

## Accessories

- TBS-2
- TBS-3
- TBS-4
- TBS-5
- TSS-2
- TSS-3
- TSS-4
- TSS-5

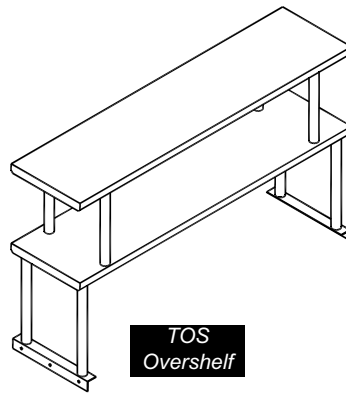


TBS  
Overshelf

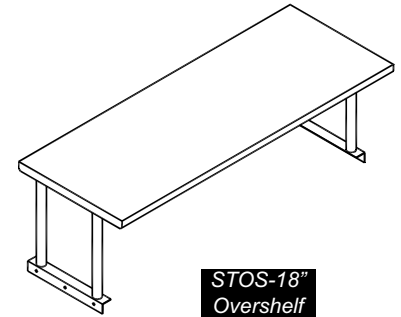


TSS  
Overshelf

- TOS-2
- TOS-3
- TOS-4
- TOS-5
- STOS-2
- STOS-3
- STOS-4
- STOS-5



TOS  
Overshelf



STOS-18"  
Overshelf

- 18" wide
- TOS-2-18
- TOS-3-18
- TOS-4-18
- TOS-5-18
- 18" wide
- STOS-2-18
- STOS-3-18
- STOS-4-18
- STOS-5-18

## Specifications

**Structure:** Serving and Buffet shelf brackets are fabricated from 18 gauge stainless steel K.D. construction.

**Sneezeguards:** are made of lexan for strength durability.

## Features

All hardware is included.

Simple assembly is required.



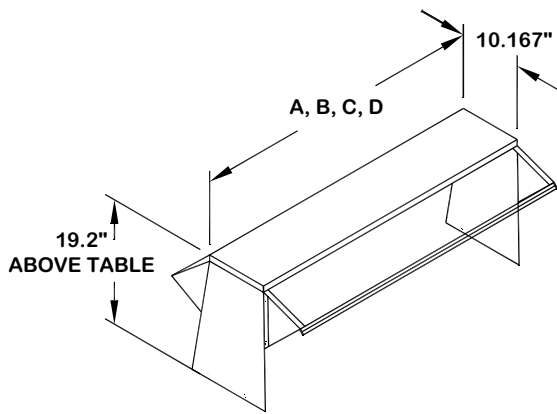
Freight Class 85



# Supreme Metal

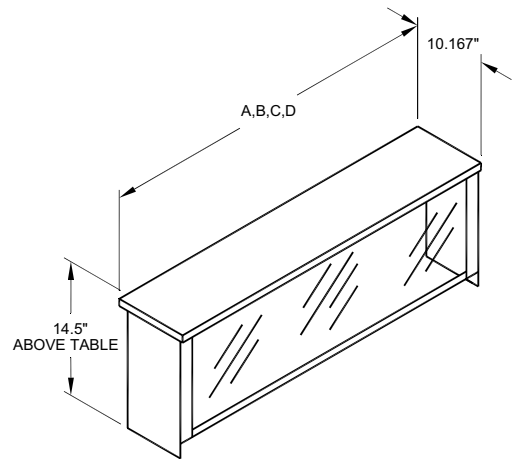
3125 Trotters Parkway  
Alpharetta, GA 30004  
www.suprememetal.com

Toll Free: 800-645-2526  
770-740-6000  
Fax: 770-740-6010



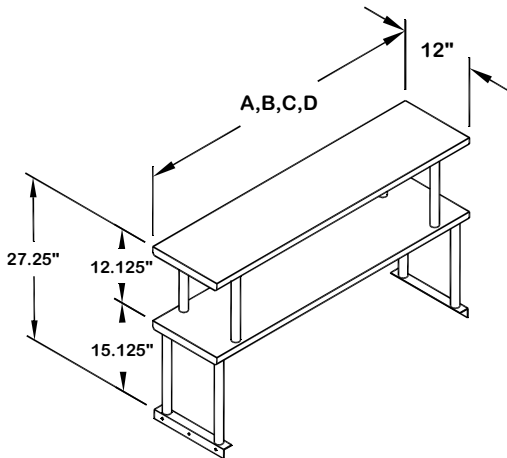
### Buffet Shelf

	Model #	Length	Weight	Cubic Feet
A	TBS-2	32.028"	31	3
B	TBS-3	47.341"	37	4
C	TBS-4	62.654"	43	5
D	TBS-5	77.967"	49	6



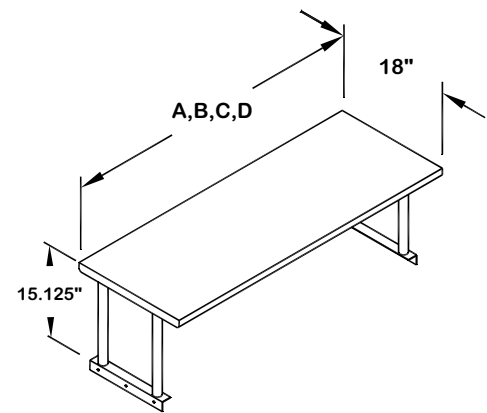
### Serving Shelf

	Model #	Length	Weight	Cubic Feet
A	TSS-2	32.028"	23	3
B	TSS-3	47.341"	27	4
C	TSS-4	62.654"	31	5
D	TSS-5	77.967"	36	6



### Double Over Shelf (Available in 12" or 18" widths)

	Model #	Length	Weight	Cubic Feet
A	TOS-2	32"	33	3
B	TOS-3	47.313"	38	4
C	TOS-4	62.625"	44	5
D	TOS-5	77.937"	49	6
A	TOS-2-18	32"	35	3
B	TOS-3-18	47.313"	41	4
C	TOS-4-18	62.625"	47	5
D	TOS-5-18	77.937"	53	6



### Single Over Shelf (Available in 12" or 18" widths)

	Model #	Length	Weight	Cubic Feet
A	STOS-2	32"	18	3
B	STOS-3	47.313"	21	4
C	STOS-4	62.625"	24	5
D	STOS-5	77.937"	27	6
A	STOS-2-18	32"	20	3
B	STOS-3-18	47.313"	23	4
C	STOS-4-18	62.625"	26	5
D	STOS-5-18	77.937"	30	6