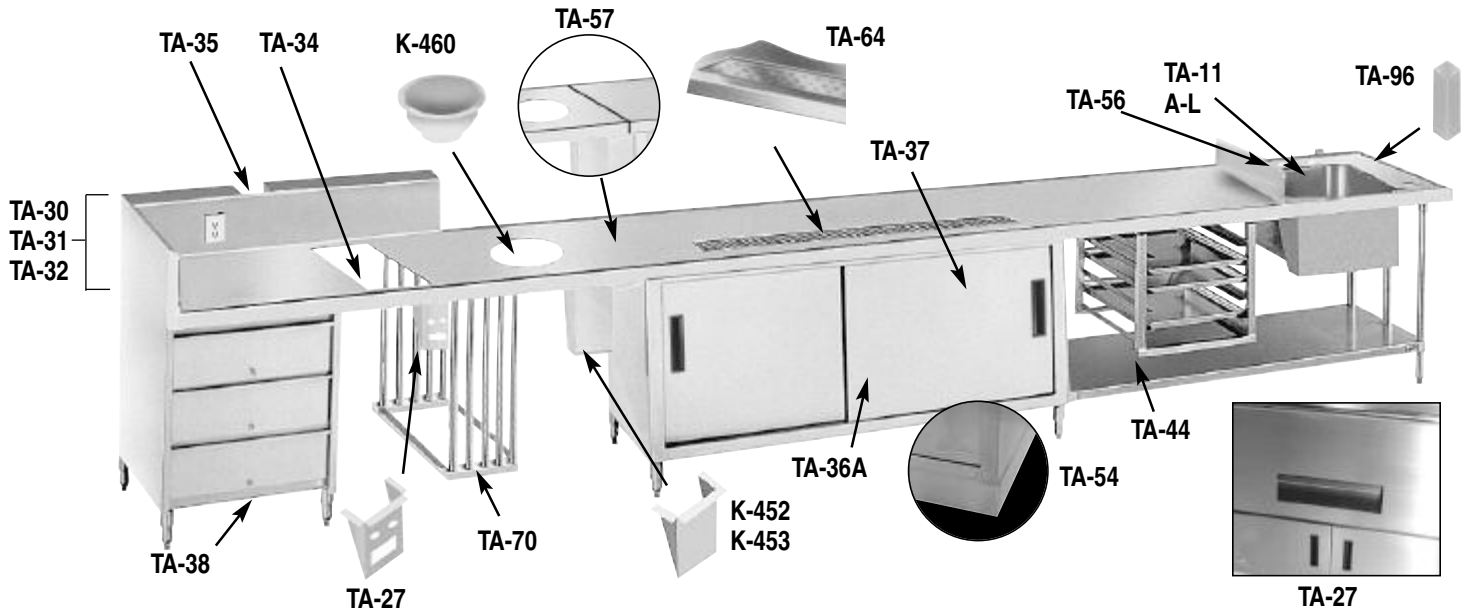


SMART TABLE MODIFICATIONS

Item #: _____ **Qty #:** _____
Model #: _____
Project #: _____



Casters

(125 lbs. Load Capacity Per Caster)

- TA-25 set of 4 (2 with Brakes)
- TA-25A set of 6 (3 with Brakes)
- TA-25B Brakes on All Casters
- TA-25C Upgrade to Caster with Heavy Duty Urethane Wheels



TA-25 Shown

Heavy Duty Casters for Equipment Stands

(1000 lbs. Distributed Weight)

- TA-255 Super Heavy Duty - set of 4
- TA-256 Super Heavy Duty - set of 6



TA-255 Shown



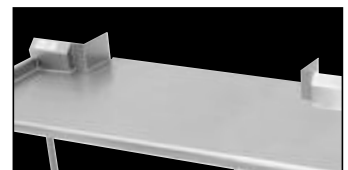
TA-58
Stepdown to 24" Working Height



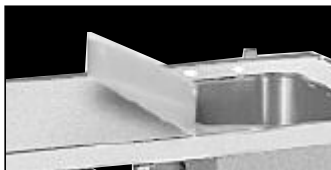
TA-77
Check Minder Shelf Provision



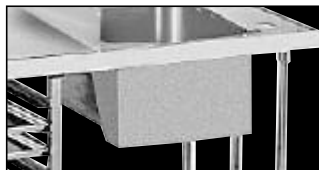
TA-75
Mitered Edge



TA-84
Simple Pass-Thru



TA-56
5" NSF Partition



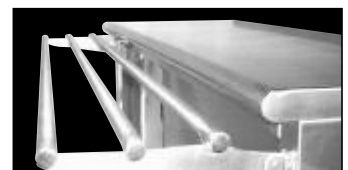
TA-92.
12" Apron (In Front of Sink)



Duplex Electrical Outlets
TA-62
TA-62A
TA-62B
TA-62C

Doghouse Duplex Electrical Outlet
TA-62D

See Page K-1a for Full Descriptions



TA-73 \$163 lin. ft.
Tubular Tray Slide with Dropdown

SMART TABLE MODIFICATIONS & ACCESSORIES

SMART MODIFICATIONS

QTY.		QTY.	
___	TA-1 Notch Backsplash For Roll Up Door with Pass-Thru	___	TA-61 Special Modification Charge (1 charge per table)
___	TA-2 Concealed Side Panel For 20" x 15" Drawer	___	TA-62 Duplex Electrical Outlet (Under Flat Top)
___	TA-3 Stainless Steel Hat Channel & Gusset Upgrade	___	TA-62A Duplex Electrical Outlet (in VKS Rear Splash)
___	TA-4 Removable Access Panel	___	TA-62B Duplex Electrical Outlet (in KSS Rear Splash. Includes 2" Return)
___	TA-5 Curb Mounting Provision	___	TA-62C Duplex Electrical Outlet GFI (Specify Location)
___	TA-6 Extra Length for Standard Tables over 12' (Tables Over 14' Require Field Joint TA-57)	___	TA-62D Doghouse Electrical Outlet Box (Includes Duplex Outlet)
___	TA-7 10" Rear Splash	___	TA-64 Urn Trough (Factory installation only)
___	TA-8 Column Notch in Rear Splash (Includes Splash)	___	TA-65 Enclosed Base Units Over 12' (Open Base Table)
___	TA-9 1-1/2" Turn-Up for Undershelves	___	TA-66 Enclosed Base Units Over 12' (Sliding Door Units)
___	TA-10 5" partial Back Splash	___	TA-67 Enclosed Base Units Over 12' (Hinged Door Units)
___	TA-12 Countertop Edge	___	TA-70 S/S Tubular Tray Divider (12" sections)
___	TA-13 Pad Lock Hasp	___	TA-71 Heat Lamp Mounting Provision
___	TA-14 Drawer Lock	___	TA-73 Tubular Tray Slide w/Dropdown (Stationary Tray Slide Available. Factory installation only)
___	TA-15 Provision for Built In Drawer Warmer	___	TA-74 Solid Tray Slide w/Dropdown (Stationary Tray Slide Available. Factory installation only)
___	TA-14SHD Drawer Lock for SHD Series Drawer	___	TA-75 Mitered Edge
___	TA-22 Square Edge Table	___	TA-76 Paint on Sound Deadening
___	TA-23 Welded Set-Up Table/Crating	___	TA-77 Check Minder Shelf Provision (Factory installation only)
___	TA-24 Shell Crating	___	TA-78 Additional Linear Ft. Past 12' For Table Mt. Shelf (For ODS, OTS, TS & DS Shelving only)
___	TA-27 Control Panel (Must add TA-34A or TA-34B)	___	TA-79 Flour Trough (Factory installation only)
___	TA-28 Cut-Out For Cold Well (Includes 2 Louver Hinged Doors)	___	TA-82 Scrap Chute (6" dia. opening)
___	TA-30 1-1/2" Side Splash	___	TA-84 Simple Pass-Thru
___	TA-31 5" Side Splash	___	TA-87 Enclosed Rear Splash
___	TA-32 10" Side Splash	___	TA-91 Poly Retaining Clips (S/S top table) Includes TA-22
___	TA-33 Special Working Height	___	TA-92 12" Apron (in front of sink)
___	TA-34A Top Cut-Out Up To 36" Length	___	TA-94 Upgrade 16 Ga. 304 S/S Undershelf
___	TA-34B Top Cut-Out Over 36" Length	___	TA-95 Upgrade 16 Ga. 304 S/S Legs Only
___	TA-35 Splash Cut-Out	___	TA-96 Can Opener Provision for S-1 & S-11 (Customer to provide location)
___	TA-36A Sliding/Hinge Stainless Steel Doors	___	TA-99 16 Ga. S/S 304 Upgrade for Wall and Over Shelves
___	TA-36B Two 1/2 Height Stainless Steel Hinge Doors	___	TA-100 Bull Nose All Sides of Worktable
___	TA-37 Stainless Enclosed Base	___	TA-100A Bull Nose All Sides of Shelf
___	TA-38 Stainless Steel (3) Tier Drawers	___	TA-101 Rear Tray Lock
___	TA-39 24" Louvered Hinged Doors	___	TA-102 24" x 24" Extension for Microwave Shelf (Add to OTS and ODS Shelves)
___	TA-40 Remove Undershelf in Cabinet Base For Slide in Buyout	___	TA-103 24" Wide PT Shelf (Mid mount only. PT series Shelf. Add to 18" Wide Shelf)
___	TA-42 Interior Partition (2.5"x30")	___	TA-104 Additional Length Over 12' (Add to 18" Shelf) (CU & CDS Shelving Only. Maximum Length is 14' as Single Piece)
___	TA-43 Filler Panel (3"x30" with Flanged Feet)	___	TA-105 Modify Enclosed Base Table with Drawers to 24" Width
___	TA-44 Aluminum Pan Rack Slides (6 slides. Table min. lgth. 3 feet)	___	TA-106 Mirror HI-LITE Edge
___	TA-45 Aluminum Glass Rack Slides (3 slides. Table min. lgth. 3 feet)	___	TA-107 Vacuum Breaker Holes on Tables (Includes Backsplash with 2" Return)
___	TA-46 Door Locks	___	TA-108 2" Hole with Grommet for Appliance Cord (Specify Hole Location)
___	TA-47 Shelf Mounting Bracket for Existing Table	___	TA-110 Modify Enclosed Base Table with Drawers to 36" Width
___	TA-48 12"x12" Cut-Out in Back Panel or Undershelf for Plumbing	___	TA-366 Reinforced Understructure For Undershelves
___	TA-49 Wall Shelf 2" offset		
___	TA-55 Remove Back Panel (on Enclosed Base)		
___	TA-56 5" NSF Partition		
___	TA-57 Prepare Welded Field Joint (Welded in field by others)		
___	TA-57A Bolted Field Joint (Bolted in field by others)		
___	TA-58 Stepdown to 24" Working Height		
___	TA-59 36" Wide Equipment Stand		
___	TA-60 Special Sizing Charge for Shelves		

ACCESSORIES

QTY.		QTY.	
___	TA-16 Galvanized Leg with Plastic Bullet Foot	___	TA-83 Spice Bins
___	TA-19 Flanged Stainless Steel Bullet Feet	___	TA-84A Knife Rack for Rolled Rim Tables
___	TA-20 Stainless Steel Leg with S/S Bullet Foot	___	TA-84B Knife Rack for Poly Top Tables
___	TA-21 Stainless Steel Bullet Foot	___	TA-84C Knife Rack for Square Edge Tables
___	TA-29 Rear Splash Capping Strip	___	TA-86 Stainless Steel Pot Hooks
___	TA-41 Poly-Vance 5/8" Cutting Board	___	TA-89 Double Sided Plated Pot Hooks (Package of 4)
___	TA-52 Drop-In urn Trough	___	TA-89A Single Sided Plated Pot Hooks (Package of 4)
___	TA-54 Removable Kick Plate	___	TA-90 Drawer Adapter (Non-catalog tables. Specify table width)
___	TA-63 Removable Shelving (In addition to standard shelf)	___	TA-93 Wall Clips (for 5" & 10 1/2" splash only)
___	TA-72 Leg to Wall Clamp (Set per table)	___	TA-97 Polyboard Storage Brackets (Under NSF drawers only)
___	TA-81 Stainless Steel Cutting Surface	___	TA-98 Stainless Steel Flat Bar in lieu of Chain



ADVANCE TABCO is constantly engaged in a program of improving our products. Therefore, we reserve the right to change specifications without prior notice.