



# UNDER THE TABLE TOP TA-130 UTENSIL HOLDER

**Item #:** \_\_\_\_\_ **Qty #:** \_\_\_\_\_  
**Model #:** \_\_\_\_\_  
**Project #:** \_\_\_\_\_



**FEATURES:**

Angled Front provides easy access to Utensil Containers  
 Factory installed to any open front work table  
 Accommodates most Utensil Holders - (consult factory for specific applications)

**CONSTRUCTION:**

Welded seams  
 Unit polished to a satin finish  
 Factory installed

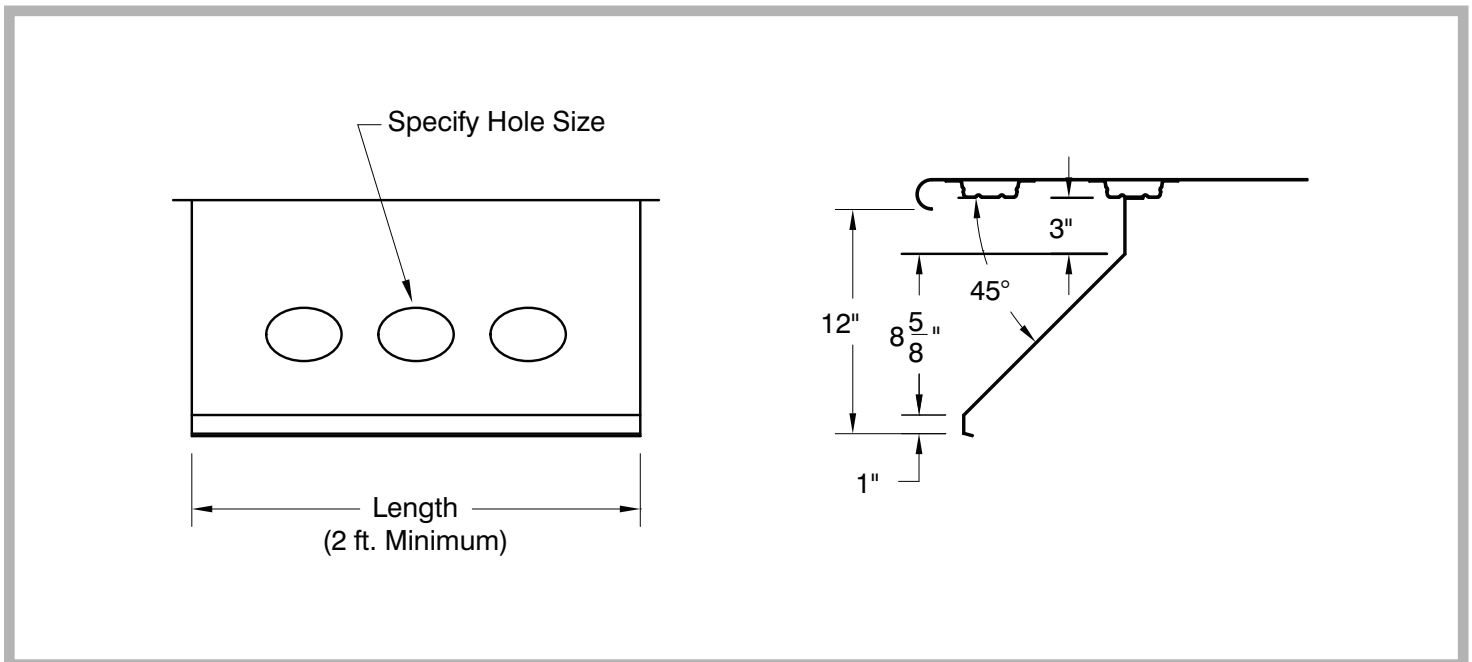
**MATERIAL:**

18 gauge type 430 Stainless Steel

## DETAILS and SPECIFICATIONS

TOL ± .500"

ALL DIMENSIONS ARE TYPICAL



**Customer Service Available To Assist You 1-800-645-3166 8:30 am - 8:00 pm E.S.T.**  
 Email Orders To: [customer@advancetabco.com](mailto:customer@advancetabco.com). For Smart Fabrication™ Quotes, Email To: [smartfab@advancetabco.com](mailto:smartfab@advancetabco.com) or Fax To: 631-586-2933

**NEW YORK**  
 Fax: (631) 242-6900

**GEORGIA**  
 Fax: (770) 775-5625

**TEXAS**  
 Fax: (972) 932-4795

**NEVADA**  
 Fax: (775) 972-1578