



Job Name _____

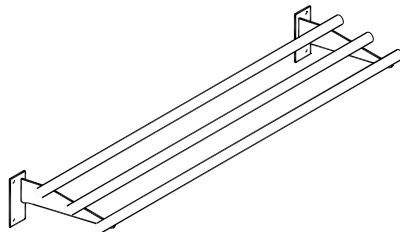
Item # _____

FOOD SERVICE EQUIPMENT

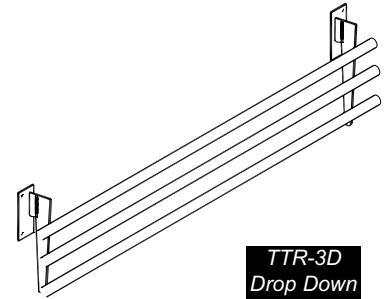
Spec Sheet No. TR-23

Accessories

- TTR-2
- TTR-3
- TTR-4
- TTR-5
- TTR-2D
- TTR-3D
- TTR-4D
- TTR-5D

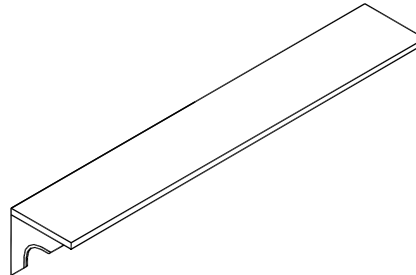


TTR Tray Rail

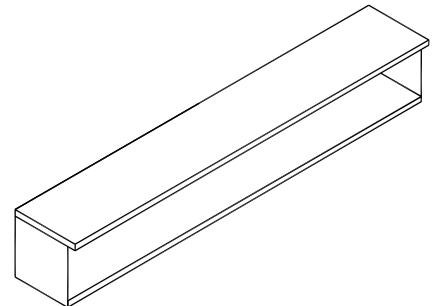


TTR-3D Drop Down Tray Rail

- TTS-2
- TTS-3
- TTS-4
- TTS-5
- TTS-2D
- TTS-3D
- TTS-4D
- TTS-5D



TTS Solid Tray Shelf
Available with drop-down option.



TDS Dish Shelf

Shown on back

Specifications

Structure: 18 gauge stainless steel
K.D. construction.

Features

All hardware is included.

Simple assembly is required.

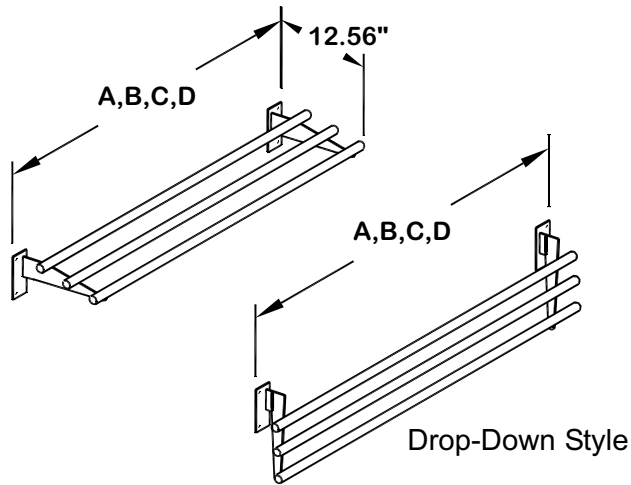


Freight Class 85



3125 Trotters Parkway
Alpharetta, GA 30004
www.suprememetal.com

Toll Free: 800-645-2526
770-740-6000
Fax: 770-740-6010

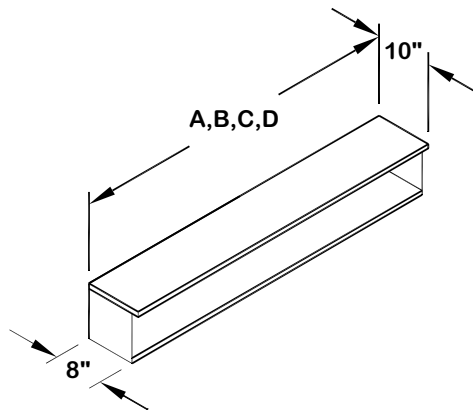


Tray Rail-Stationary

	Model #	Length	Weight	Cubic Ft.
A	TTR-2	31.687"	12	3
B	TTR-3	47"	14	4
C	TTR-4	62.312"	16	5
D	TTR-5	77.625"	19	6

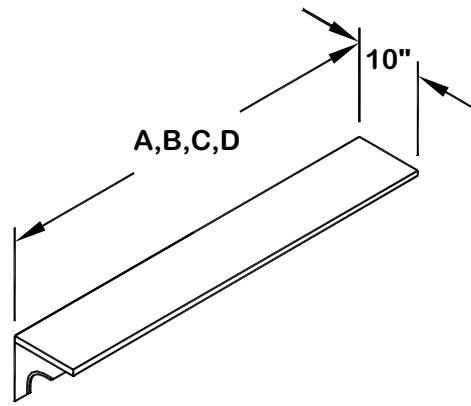
Trail Rail- Drop-Down

A	TTR-2D	31.687"	14	3
B	TTR-3D	47"	16	4
C	TTR-4D	62.312"	18	5
D	TTR-5D	77.625"	21	6



Dish Shelf - Add On (Cutting board not supplied)

	Model #	Length	Weight	Cubic Ft.
A	TDS-2	31.5"	15	3
B	TDS-3	46.8125"	17	4
C	TDS-4	62.125"	19	5
D	TDS-5	77.437"	21	6

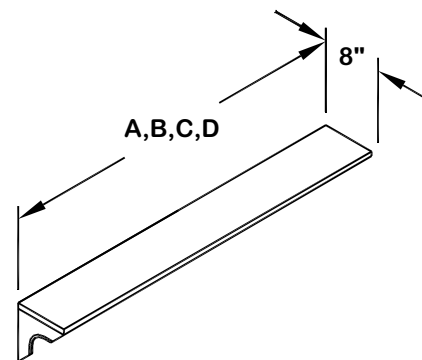


Solid Tray Shelf

	Model #	Length	Weight	Cubic Ft.
A	TTS-2	31.5"	15	3
B	TTS-3	46.8125"	17	4
C	TTS-4	62.125"	19	5
D	TTS-5	77.437"	21	6

Solid Tray Shelf-Drop-Down

A	TTS-2D	31.5"	15	3
B	TTS-3D	46.8125"	17	4
C	TTS-4D	62.125"	19	5
D	TTS-5D	77.437"	21	6



Cutting Board - Add On

	Model #	Length	Weight	Cubic Ft.
A	TCB-2	31.5"	15	3
B	TCB-3	46.812"	17	4
C	TCB-4	62.125"	19	5
D	TCB-5	77.437"	21	6