



# STAINLESS STEEL HEAVY DUTY WORK TABLES Open Base



TMSLAG-X Series  
Flat Top



TKMSLAG-X Series  
5" Backsplash

**Item #:** \_\_\_\_\_ **Qty #:** \_\_\_\_\_  
**Model #:** \_\_\_\_\_  
**Project #:** \_\_\_\_\_

**FEATURES:**

**TMSLAG:** Top is furnished with 1 5/8" square bend on sides and 1 5/8" sanitary rolled rim on front and rear & square sides.

**TKMSLAG:** Top is furnished with 1 5/8" square bend on sides and 1 5/8" sanitary rolled rim on front with 5" Rear Splash.

Two hat-channels stud welded under tabletop to reinforce and maintain a level work surface.

**CONSTRUCTION:**

All TIG welded. Exposed weld areas polished to match adjacent surface.

Top is sound deadened.

Roll formed embossed galvanized hat channels are secured to top by means of structural adhesive and weld studs.

Gussets welded to support hat channels.

**MATERIAL:**

**TOP:** 16 gauge stainless steel type "304" series.

**LEGS:** 1 5/8" diameter tubular Stainless steel. Stainless steel gussets. 1" adjustable stainless steel bullet feet.

TMSLAG SERIES			
W	L	Flat Top w/ Open Base	WT.
24"	24"	TMSLAG-242-X	31 lbs.
	30"	TMSLAG-240-X	39 lbs.
	36"	TMSLAG-243-X	52 lbs.
	48"	TMSLAG-244-X	65 lbs.
	60"	TMSLAG-245-X	75 lbs.
	72"	TMSLAG-246-X	88 lbs.
	84"	TMSLAG-247-X	99 lbs.
	*96"	TMSLAG-248-X	116 lbs.
30"	24"	TMSLAG-302-X	46 lbs.
	30"	TMSLAG-300-X	55 lbs.
	36"	TMSLAG-303-X	63 lbs.
	48"	TMSLAG-304-X	71 lbs.
	60"	TMSLAG-305-X	84 lbs.
	72"	TMSLAG-306-X	97 lbs.
	84"	TMSLAG-307-X	109 lbs.
	*96"	TMSLAG-308-X	128 lbs.

TKMSLAG SERIES			
W	L	5" Rear Splash w/ Open Base	WT.
24"	24"	TKMSLAG-242-X	42 lbs.
	30"	TKMSLAG-240-X	49 lbs.
	36"	TKMSLAG-243-X	58 lbs.
	48"	TKMSLAG-244-X	67 lbs.
	60"	TKMSLAG-245-X	78 lbs.
	72"	TKMSLAG-246-X	90 lbs.
	84"	TKMSLAG-247-X	101 lbs.
	*96"	TKMSLAG-248-X	120 lbs.
30"	24"	TKMSLAG-302-X	50 lbs.
	30"	TKMSLAG-300-X	60 lbs.
	36"	TKMSLAG-303-X	69 lbs.
	48"	TKMSLAG-304-X	77 lbs.
	60"	TKMSLAG-305-X	88 lbs.
	72"	TKMSLAG-306-X	105 lbs.
	84"	TKMSLAG-307-X	117 lbs.
	*96"	TKMSLAG-308-X	138 lbs.



Stainless Steel Bullet Feet standard on Series

\*All 8 ft. Tables Provided With 6 Legs

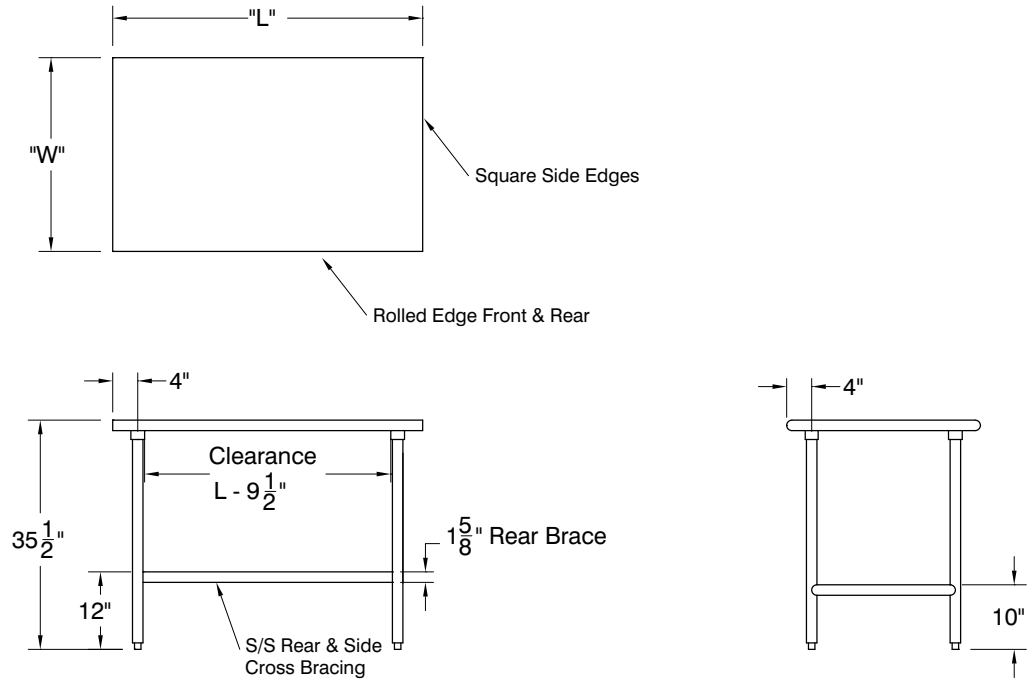
<p>www.advancetabco.com</p>	<p><b>Customer Service Available To Assist You 1-800-645-3166 8:30 am - 8:00 pm E.S.T.</b></p> <p>Email Orders To: customer@advancetabco.com. For Smart Fabrication™ Quotes, Email To: smartfab@advancetabco.com or Fax To: 631-586-2933</p>			
	<p><b>NEW YORK</b> Fax: (631) 242-6900</p>	<p><b>GEORGIA</b> Fax: (770) 775-5625</p>	<p><b>TEXAS</b> Fax: (972) 932-4795</p>	<p><b>NEVADA</b> Fax: (775) 972-1578</p>

# DETAILS and SPECIFICATIONS

TOL  $\pm$  .500"

ALL DIMENSIONS ARE TYPICAL

## TMSLAG-X SERIES



## TKMSLAG-X SERIES

