



STAINLESS STEEL

CEILING OR FLOOR SUPPLIED ELECTRICAL UTILITY CHASE

(Available only for CU Series, OTS & ODS series Shelving)

Item #: _____ Qty #: _____
 Model #: _____
 Project #: _____

FEATURES:

Removable access panel conceals wires (Wires supplied others).
 Engineered to receive standard electrical connectors (Not included)
 2 1/2" deep x 12" wide chase allows ample space for electrical wires and connections.
 Chase secures to end of shelf or work table.

CONSTRUCTION:

Exposed corners TIG welded and polished to a satin finish.

MATERIAL:

Heavy gauge type "300" stainless steel.



UCF-1
FLOOR
SUPPLIED



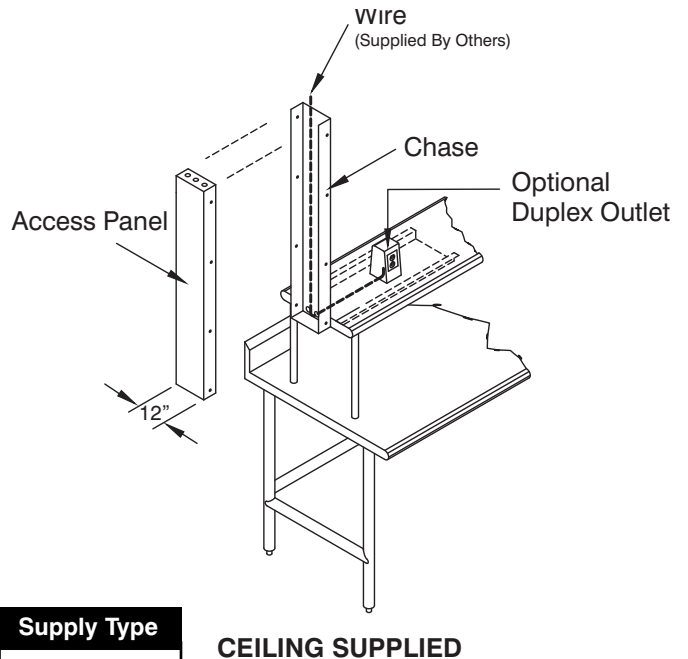
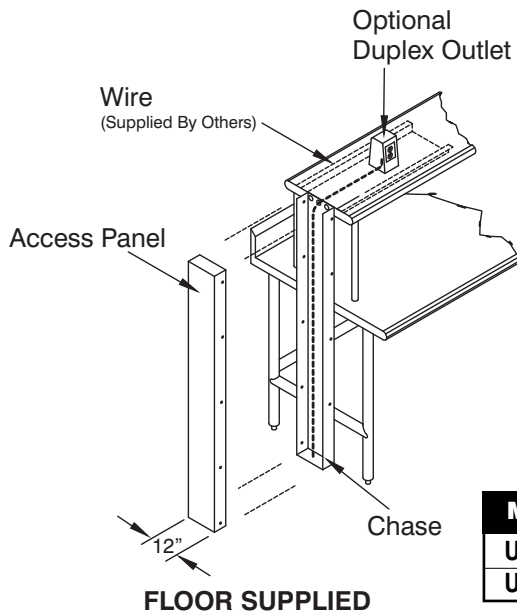
UCC-1
CEILING
SUPPLIED

DETAILS and SPECIFICATIONS

TOL ± .500"

ALL DIMENSIONS ARE TYPICAL

**PRINT REQUIRED FOR PROPER CHASE LOCATION.
 Utility Chase is FACTORY INSTALLATION Only.**



MODEL #	Supply Type
UCC-1	Ceiling
UCF-1	Floor



Customer Service Available To Assist You **1-800-645-3166** 8:30 am - 8:00 pm E.S.T.

Email Orders To: customer@advancetabco.com. For Smart Fabrication™ Quotes, Email To: smartfab@advancetabco.com or Fax To: 631-586-2933

NEW YORK
 Fax: (631) 242-6900

GEORGIA
 Fax: (770) 775-5625

TEXAS
 Fax: (972) 932-4795

NEVADA
 Fax: (775) 972-1578