

Item No.

## Superior Performance With Exceptional Recovery For High Volume Electric Frying.

High efficiency 14KW ribbon-type immersion heaters provide efficient energy transfer for fast frying and quick recovery to increase cooking output of the fryer. Low watt density design prolongs the life of the elements and prevents scorching the shortening. Heaters swing up out of the way for ease of cleaning and access to the large cold zone.

### STANDARD FEATURES

- Stainless steel frypot has a **10 year warranty.**
- Stainless steel front panel, trim and door.
- Sealed construction immersion type 14KW heating elements made of a high temperature alloy with a stainless steel sheath.
- Heating elements lift up out of the way for easy cleaning of the frypot.
- Redundant contactors and hi-limit control for increased safety.
- Power, heating, and hi-limit lockout indicator lights are mounted conveniently on the front panel.
- Lexan faced control panel is recessed to protect controls from damage.
- Built-in circuit breaker and fuse holder mounted inside front door for easy access.
- Front 1-1/4" full port drain valve for easy no clog cleaning.
- Available with 2 heavy duty automatic basket lifts (14EL-14AA)
- Solid state thermostat for precise temperature control



Model 14EL - 14 shown with optional casters

**A N E T S**  
**GoldenFRY™**



**ANETS'**

ANETS INC PO BOX 501, CONCORD, NH 03302-0501  
509 ROUTE 3A, BOW, NH 03304 TEL: 603-225-6684, FAX:603-225-8497  
L10-490 R1 www.anets.com

We reserve the right to change specifications without notice and without incurring any  
Obligation for equipment previously or subsequently sold.

# Anets 14" High Efficiency Electric Fryer

# Model 14EL-14/14AA



## SPECIFICATIONS

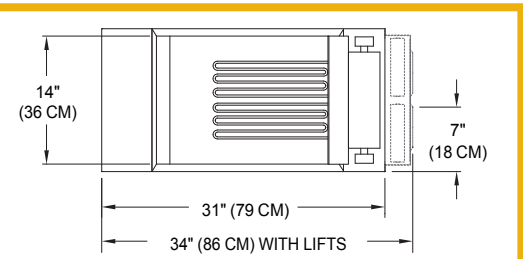
- Model  
14EL-14, Electric Fryer  
14EL-14AA, Electric fryer with automatic basket lifts
- Certification  
ETL, CETL, NSF
- Electrical Requirements  
Three phase, 14KW  
208V-39A, 240V-34A
- Thermostat  
Solid state
- Thermostat Range  
200°-375°F (93°-190°C)
- Hi-Limit  
Safety control shuts off power at 440°F (227°C)
- Frypot  
Stainless steel welded construction
- Cabinet  
All Stainless steel construction excluding rear and bottom braces
- Shortening Capacity  
40-50 lbs.
- Cooking Capacity  
70 lbs. french fries per hour
- Frying Area  
14 x 14.5 in (36 x 37cm)

## STANDARD ACCESSORIES

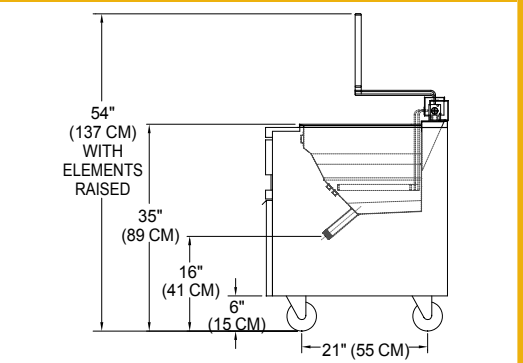
- Solid state thermostat
- 2 Nickel plated twin baskets
- 6 Adjustable legs
- Drain pipe extension
- Rack type basket support
- Clean out rod

## OPTIONS AND ACCESSORIES

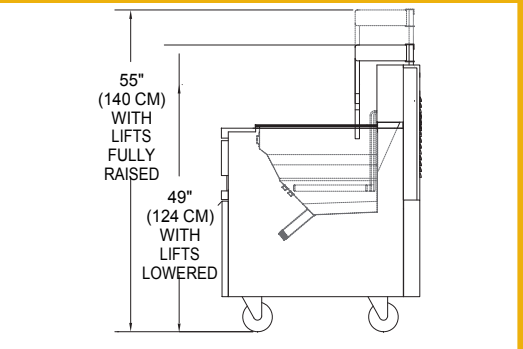
- Fri-Tronic™ 12 product controllers
- Filter Systems, built-in Filtronic or Filter Mate under fryer filter
- Automatic twin basket lifts (14EL-14AA)
- Stainless steel sides
- Casters
- Single or triple baskets
- Front drain tray
- Cover
- Fryer cleaning brush



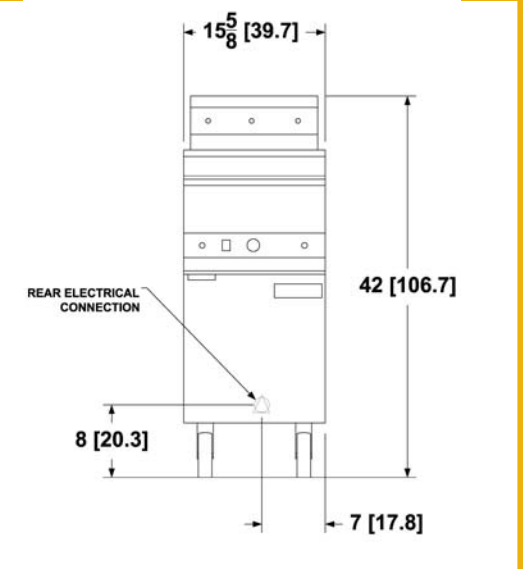
Top View



Side View



Side View With Lifts



Front View



ANETS INC PO BOX 501, CONCORD, NH 03302-0501  
509 ROUTE 3A, BOW, NH 03304 TEL: 603-225-6684, FAX:603-225-8497  
L10-490 R1 www.anets.com

We reserve the right to change specifications without notice and without incurring any obligation for equipment previously or subsequently sold.