

Item No.

### Superior Hard Chrome Finish Makes The Griddle Plate Cleanup Like New, Day After Day, Year After Year

Keep your kitchen operation at peak efficiency with the Anets GoldenGrill™ Chrome Griddles. Special advantages of the highly polished chrome finish include superior cleanability, minimal heat radiation from griddle surface, and maximum heat transfer into food.

**Individual thermostatically controlled burners every 12 inches.** Cook a variety of products with no flavor transfer. Invest in the Anets GoldenGrill™ Chrome Griddle and save on labor and energy costs.

#### STANDARD FEATURES

- 3/4" steel plate precision ground, highly polished and plated with a hard chrome finish
- One burner per foot: 30,000 BTUH per burner
- Stainless steel front, sides, grease trough and splashguards
- Spark ignitor for lighting pilots
- Snap action type thermostats
- 100% gas safety valve shut-off
- Double wall construction keeps the operator and kitchen cool
- No electrical connections required
- Front grease trough allows for more useable griddle surface
- Extra large grease chute opening equipped with built in spatula scraper
- Large capacity 5.7 quart grease drawer easily accessible under cabinet and is equipped with anti-splash guards (72" model is equipped with 2 drawers)



**A24X48GC shown on legs**



**A24X48GC shown on stainless steel stand with undershelf.**

**ANETS**  
**GoldenGRILL™**



# Anets GoldenGrill™ Chrome Gas Griddles

## 24" AGC Models



### SPECIFICATIONS

- Model: AGC Models (See chart below)
- Certification: ETL, CETL, NSF
- BTUH input: 30,000 per burner (foot)
- Gas Pressure: NG 3.5" WC, LP 10" WC, Pressure regulator included
- Gas Connection: 3/4" NPT
- Electrical: None
- Thermostats: Gas operated, snap action 200-550F (93-288C)
- Plate: 3/4" high nickel content steel plate precision ground, highly polished and plated with a hard chrome finish
- Burners: Aluminized steel
- Safety Pilots: 100% gas shut-off valve
- Spark Ignitor: Piezo electric
- Cabinet: Front, sides, trough and splashguard, stainless steel  
Back, aluminized steel

### STANDARD ACCESSORIES

- Safety pilots
- Stainless steel sides
- Spark ignitor
- Pressure regulator
- 4" Adjustable chrome plated legs
- Chrome Griddle cleaning kit
  - 4" Scraper with 10 replacement blades
  - 1 can ANETS ALLSHINE Cleanser
  - Cleaning Brush

### OPTIONS AND ACCESSORIES

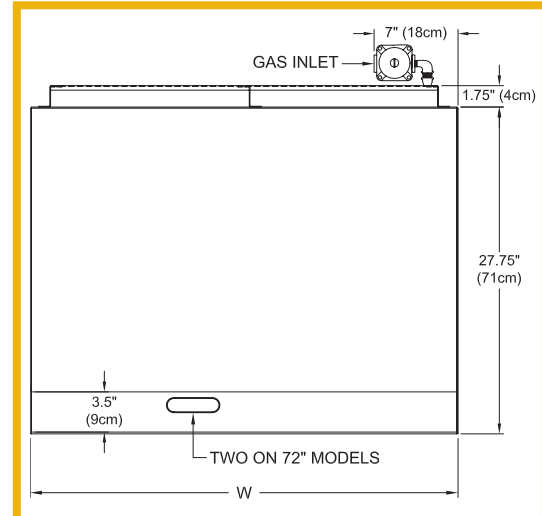
- Removable cutting board and bracket assembly
- Stainless steel stands
- Companion griddle stand  
use griddle stand model AGS
- 11" High backsplash

### DIMENSIONS

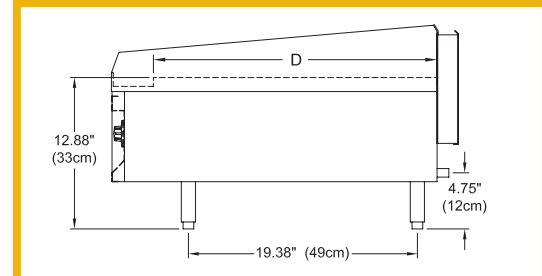
#### 24" MODELS

Overall	A24X24GC	A24X36GC	A24X48GC	A24X60GC	A24X72GC
■ (W) Width	24.25"	36.25"	48.25"	60.25"	72.25"
■ Height	17.25"	17.25"	17.25"	17.25"	17.25"
■ Depth	29.75"	29.75"	29.75"	29.75"	29.75"
<b>Plate</b>					
■ Width	24"	36"	48"	60"	72"
■ (D) Depth	24"	24"	24"	24"	24"
NG BTUH	60,000	90,000	120,000	150,000	180,000
LP BTUH	60,000	90,000	120,000	150,000	180,000

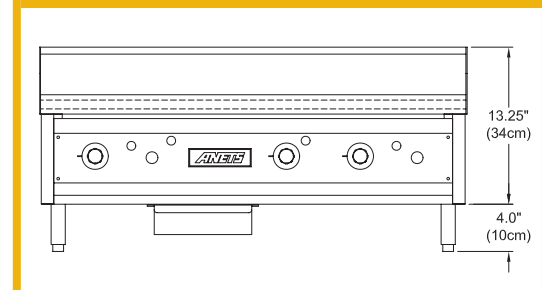
Specifications subject to change without notice.  
 SS# 211 Revised 10/06  
 Printed in the U.S.A.



Top View



Side View



Front View



Anetsberger Brothers, Inc. ■ Dependable Foodservice Equipment  
 180 North Anets Drive ■ Northbrook, Illinois 60062  
 1-800-837-2638 ■ Fax 847-272-1943 ■ www.anets.us