

Item No.

## Reliable Even-Cooking Griddle Provides Outstanding Performance for Breakfast, Lunch or Dinner Menu Items

This series of griddles features individually controlled burners every 12 inches to maintain consistent temperatures under heavy load conditions. The Standard Griddle and Chrome Griddle models feature thermostats with exclusive plate temperature sensors which respond to temperature fluctuations quickly. Add a chrome plate finish for superior cleaning and minimum heat radiation with no flavor transfer. Invest in the Anets GoldenGrill Gas Griddles and save on labor and energy costs.

### STANDARD FEATURES

- High nickel content 3/4" precision ground hot rolled steel plate
- Highly polished and plated with a hard chrome finish
- One burner per foot:  
30,000 BTU/h per burner.
- Snap action thermostats
- Spark ignitor
- Griddle top **1 year warranty**



**A30X48G shown on optional stainless steel stand with undershelf**

ANETS  
**GoldenGRILL™**



**ANETS**

ANETS LLC, P.O. BOX 501, CONCORD, NH 03302-0501  
509 ROUTE 3A, BOW, NH 03304 TEL: 603-225-6684, FAX:603-225-8497  
L10-517 R3 www.anets.com

We reserve the right to change specifications without notice and without incurring any obligation for equipment previously or subsequently sold.

# Anets GoldenGrill™ 30" Deep Griddles

# 30" AG Models



## SPECIFICATIONS

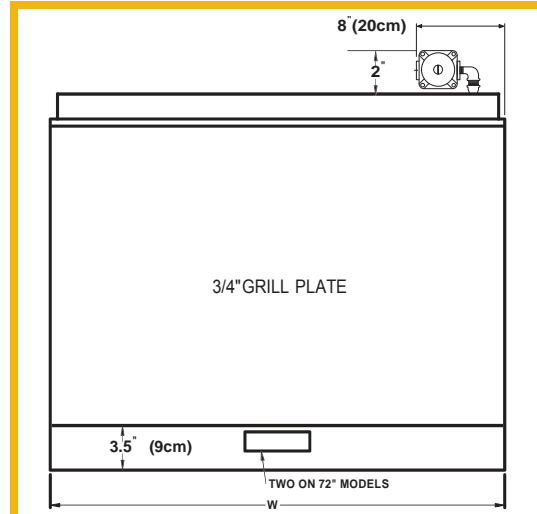
- Model: AG Models (see chart below)
- Certification: CSA, NSF
- BTUH input: 30,000 per burner (foot), NG 4.0" WC, LP 10.0" WC
- Gas Pressure: Pressure regulator included
- Gas Connection: 3/4 NPT
- Electrical: None
- Plate: High nickel content 3/4" precision ground hot rolled steel plate  
Highly polished and plated with hard chrome finish
- Burners: Aluminized steel
- Thermostats: Gas operated, snap action
- Temperature Range: 200°-550°F (93°-288°C)
- Safety Pilots: 100% gas shut-off valve
- Spark ignitor: Piezo electric
- Cabinet: Front, sides, trough, and splashguard, stainless steel  
Back, aluminized steel

## STANDARD ACCESSORIES

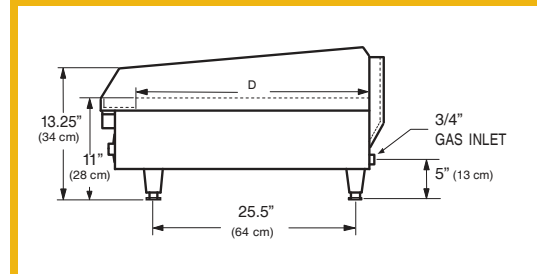
- Safety pilots
- Stainless steel sides
- Spark ignitor
- Pressure regulator
- 4" Adjustable chrome plated legs
- Chrome Griddle cleaning kit
  - 4" Scraper with 10 replacement blades
  - 1 can ANETS ALLSHINE Cleanser
  - Cleaning Brush

## OPTIONS AND ACCESSORIES

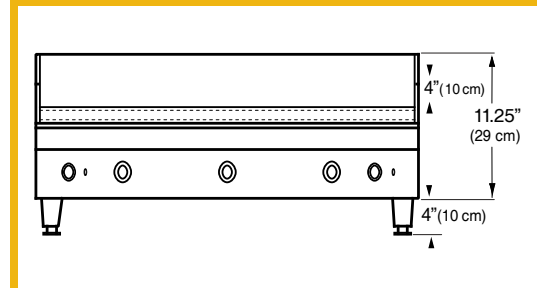
- Removable cutting board and bracket assembly
- Stainless steel stands  
Companion Griddle Stands use griddle stand model AGS
- 11" High backsplash



Top View



Side View



Front View

Overall	A30X24G	A30X36G	A30X48G	A30X60G	A30X72G
■ (W) Width	27.25	39.25	51.25	63.25	73.25
■ Height	15.25	15.25	15.25	15.25	15.25
■ Depth	35.75	35.75	35.75	35.75	35.75
<b>Plate</b>					
■ Width	24	36	48	60	72
■ (D) Depth	30	30	30	30	30
NG BTU/h	60,000	90,000	120,000	150,000	180,000
LP BTU/h	60,000	90,000	120,000	150,000	180,000



ANETS LLC, P.O. BOX 501, CONCORD, NH 03302-0501  
 509 ROUTE 3A, BOW, NH 03304 TEL: 603-225-6684, FAX: 603-225-8497  
 L10-517 R3 www.anets.com

We reserve the right to change specifications without notice and without incurring any Obligation for equipment previously or subsequently sold.