



Project _____

Item No. _____

Quantity _____

ANETS ELECTRIC (AEH) Series AEH14 (R,X), 14T (R,X), 18 (R), 184 (R) Fryer



AEH14-14T (R, X)
w/ optional
Digital Controller,
filter & I12
Computer,
front / rear casters



AEH18 (R,X)
w/ optional
I12 Computer,
front / rear casters

STANDARD FRYER FEATURES & ACCESSORIES

- Tank - stainless steel construction
- Cabinet - stainless steel front, door and sides.
- Pivoting heating elements
- Solid State T-Stat (SSTC) w/melt cycle & boil out mode
- Mercury Free heating contactors
- High Temperature safety limit switch
- Drain valve interlock
- 1 1/4" (3.2 cm) Full port drain valve for fast draining
- 9" (22.9 cm) adjustable legs, easier access to clean
- Removable basket hanger, requires no tools
- Drain Line Clean out rod
- Choice of basket options:
 - 2 Twin baskets
 - 1-Full basket (not available on 14T or Basket Lifts)

STANDARD FILTER FEATURES & ACCESSORIES

- Easy two step filtering
- Extra large 3" (7.6cm) curved drain spout virtually eliminates splashing and swivels for oil disposal
- 8 gpm filter pump for fast refill times
- Self aligning filter connection for effortless hookup
- Rear oil return for bottom cleaning
- Filter pan lid is self storing and out of the way
- Fryer cleaning brush
- Fryer crumb scoop
- Filter shovel scoop
- Filter envelope starter pack

APPLICATION

For High Production Electric frying specify Anets Electric Models AEH14 (R,X), 14T (R,X), or 18 (R), 184 (R) fryers with multiple heat input (kilowatt) options for the performance to meet your frying demands. The Anets electric fryer comes in numerous sizes to match different product frying applications and uses highly reliable pivoting elements and environmentally friendly mercury-free contactors. For precise temperature control the fryer comes standard with a behind the door solid state thermostat with melt cycle and boil out modes.

MODELS AVAILABLE

AEH14 Series (40-50 lbs, 14 x 14-9/32" fry area)

- AEH14** 17kW/hr
- AEH14R** 22kW/hr
- AEH14X** 14kW/hr

AEH14T Series (20-25 lbs, 7 x 14-9/32" fry area per side for this twin vat fryer)

- AEH14T** 17kW/hr (8.5kW per tank side)
- AEH14TR** 22kW/hr (11kW per tank side)
- AEH14TX** 14kW/hr (7kW per tank side)

AEH184 Series (60 lbs, 18 x 14" fry area)

- AEH184** 17kW/hr
- AEH184R** 22kW/hr

AEH18 Series (70-90 lbs, 18 x 18" fry area)

- AEH18** 17kW/hr
- AEH18R** 22kW/hr

OPTIONS & ACCESSORIES (AT ADDITIONAL COST)

- Digital Controller (2 timers w/ melt cycle & boil out mode)
- Anets I12 Computer (12 elastic timers w/ melt cycle & boil out)
- Backup thermostat (only on Digital and I12 computer)
- Basket Lift (must be ordered with Digital control or Computer)
- Stainless steel back (not available with basket lift)
- 9" (22.9 cm) adjustable rear and front locking casters
- Tank cover
- 3-Triple Baskets (not available on 14T or basket lifts)
- Consult Factory for other basket configurations
- Work shelves call factory for specifications and availability.
- BNB Dump Station, see BNB spec sheet for details
- Filter System Options
 - Solo Filter
 - Filter flush hose
 - Filter pump heaters
 - Paperless Filter
 - Waste Oil Management
 - Filter Crumb Catch
- 6' (183 cm) NEMA 15-60P cord set (14KW and 17KW, 208V & 240V 3Phase only) 1 per fryer

Approvals Pending

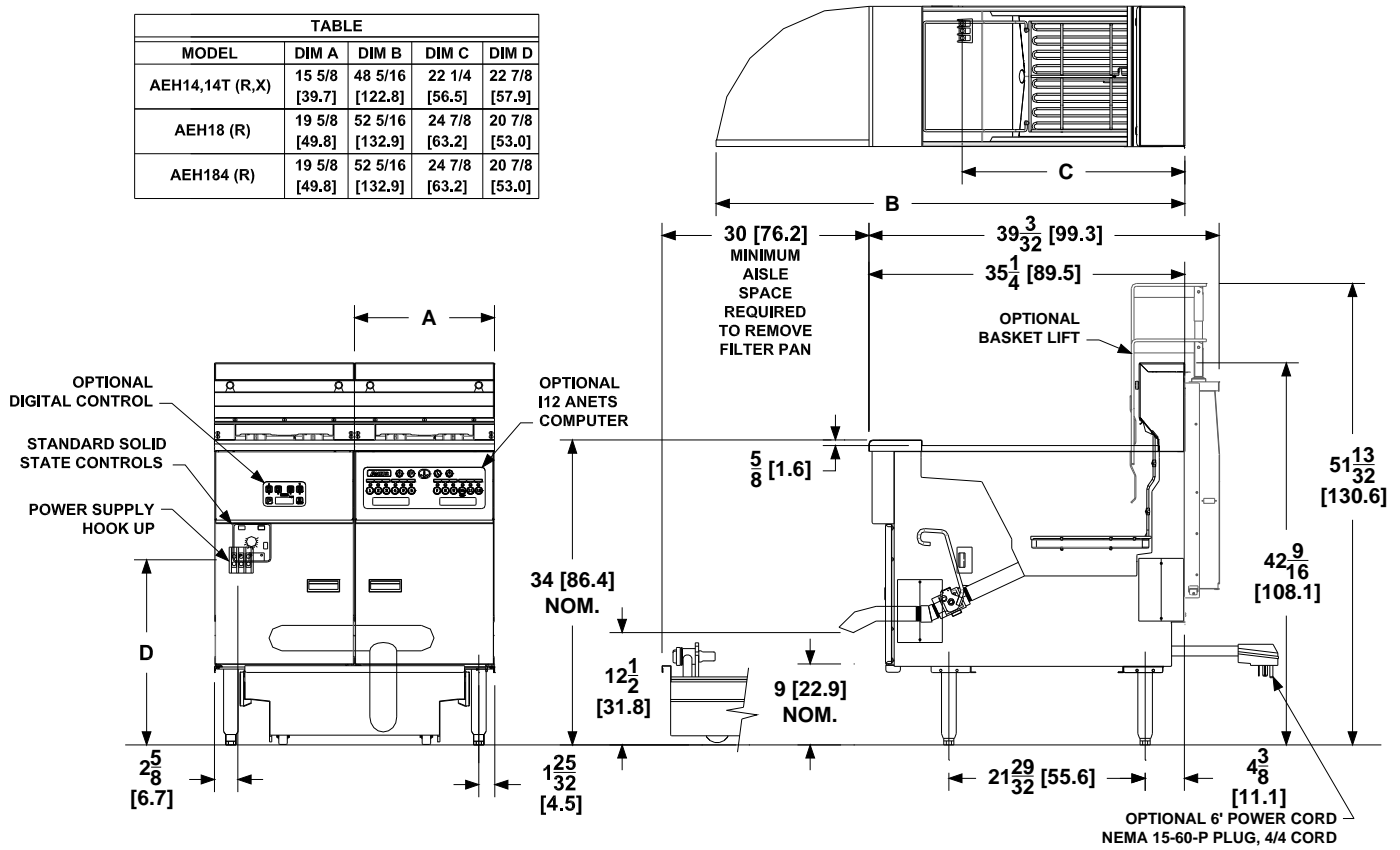


ANETS ELECTRIC (AEH) Series AEH14 (R,X), 14T (R,X), 18 (R), 184 (R) Fryer

ANETS ELECTRIC (AEH) Series AEH14, 14T (R,X), 18 (R), 184 (R) Fryer

ANETS ELECTRIC (AEH) Series AEH14 (R,X), 14T (R,X), 18 (R), 184 (R) Fryer

TABLE				
MODEL	DIM A	DIM B	DIM C	DIM D
AEH14,14T (R,X)	15 5/8 [39.7]	48 5/16 [122.8]	22 1/4 [56.5]	22 7/8 [57.9]
AEH18 (R)	19 5/8 [49.8]	52 5/16 [132.9]	24 7/8 [63.2]	20 7/8 [53.0]
AEH184 (R)	19 5/8 [49.8]	52 5/16 [132.9]	24 7/8 [63.2]	20 7/8 [53.0]



INDIVIDUAL FRYER SPECIFICATIONS			SYSTEM SHIPPING INFORMATION (Approximate)			
Model	Cooking Area & Depth	Oil Capacity	Shipping Weight	Shipping Weight w B/L	Shipping Crate Size H x W x L	Shipping Cube
AEH (14, 14R, 14X)	14 x 14 9/32 x 4 in (35.6 x 36.3 x 10.2 cm)	40-50 lbs (18-23 kg)	300 lbs (136 kg)	350 lbs (159 kg)	45 x 19 x 36 in 114.3 x 48.3 x 91.4 cm	17.8 ft ³ 0.5 m ³
AEH (14T, 14TR, 14TX) * per Tank side	7 x 14 9/32 x 4 in * (17.8 x 36.3 x 10.2 cm)	20-25Lbs * (9-11.5 kg)	330 lbs (150 kg)	380 lbs (172 kg)	45 x 19 x 36 in 114.3 x 48.3 x 91.4 cm	17.8 ft ³ 0.5 m ³
AEH (18, 18R)	18 x 18 x 4-3/4 in (45.7 x 45.7 x 12.1cm)	70-90 lbs (32-41 kg)	376 lbs (170.5 kg)	426lbs (193 kg)	59 x 23 x 44 in 149.8 x 58.4 x 111.7	34.6 ft ³ 1.0 m ³
AEH (184, 184R)	18 x 14 x 4-3/4 in (45.7 x 35.6 x 12.1cm)	60 lbs (27 kg)	376 lbs (170.5 kg)	426lbs (193 kg)	59 x 23 x 44 in 149.8 x 58.4 x 111.7	34.6 ft ³ 1.0 m ³

ELECTRICAL REQUIREMENTS		Nominal Amps Per Line (50/60 HZ)													
		Single Phase (2 wire + ground)					3 Phase (3 wire + ground)			3 Phase "Y" (4 wire + ground)					
Model	KW/Hr	200V ²	208V	220V	230V	240V	480V	200V ²	208V	220V	240V	480V	380/220V	400/230V	415/240V
AEH (14, 14T, 18, 184)	17	78.6	81.7	77.3	73.9	70.8	35.4	45.4	47.2	44.6	40.9	20.4	25.8	24.5	23.7
AEH (14R, 14TR, 18R, 184R)	22	101.7	105.8	100.0	95.7	91.7	45.8	58.7	61.1	57.7	52.9	26.5	33.4	31.8	30.6
AEH (14X, 14TX)	14	64.7	67.3	63.6	60.9	58.3	29.2	37.4	38.9	36.7	33.7	16.8	21.3	20.2	19.5

1. Each fryer requires it's own separate power cord. 2. 200V units will operate at 92% of rated power 3. Other voltages may be available, consult factory. 4. Power supply for Basket Lifts is wired into the fryer's high voltage line terminal block, except for 480V which requires a separate single phase service for the basket lifts, and filter motor. (115V, 8.0A for North America and 220-240V, 4.0A for Export.

SHORT FORM SPECIFICATIONS

Provide Anets Model (AEH xxx) electric fryer. Fryer shall be xx-xx lbs oil capacity, xxx kW/hr, "xx by xx" cook area, SS peened tank, stainless front, door,sides. Pivoting immersion type heating elements with high temp alloy sheath, mercury-free contactors, drain valve interlock, 1-1/4" full port drain, 3/16" bottom hinge with standard behind the door solid state thermostat with melt cycle and boil out (or specify optional digital or computer controls). Provide options and accessories as follows.