

ANETS Crispy Food Warmer and Fri-Crisp Station Keeps Your Food Crisp, Hot and Fresh



CFW



14" Fri-Crisp shown
with optional storage pans

The **Anets Crispy Food Warmer** holds “fry ahead” production. Efficient infrared heat keeps food hot and fresh. To accommodate a variety of products, the stainless steel hood is adjustable to three different heights. An easily removable bulb guard protects the bulbs from damage. This unit fits on an optional Anets Drain Shelf on any high efficiency Anets fryer, allowing for more counter work space while creating a dump station. The Crispy Food Warmer is also available as an option on a Filtronic II filter system dump station.

Anets Fri-Crisp Station is an economical way to generate more volume! Benefit by utilizing the Anets Crispy Food Warmer built into a stainless steel cabinet including extra storage capacity. Keep up with the peak serving periods easily and efficiently. The Anets Fri-Crisp lets you prepare ahead...so you can serve hot, fresh food to every customer. Cabinet includes shelf glides for accommodating (2) optional standard pans for save-n-hold storage without using additional space. Customer design a complete Anets line-up, match this Fri-Crisp with any high efficiency Anets 14" or 18" fryer.

FRI-CRISP STANDARD FEATURES

- Stainless steel front and sides
- 6" adjustable legs
- Two shelf glides, (included) accommodate optional pans in cabinet below providing extra storage.

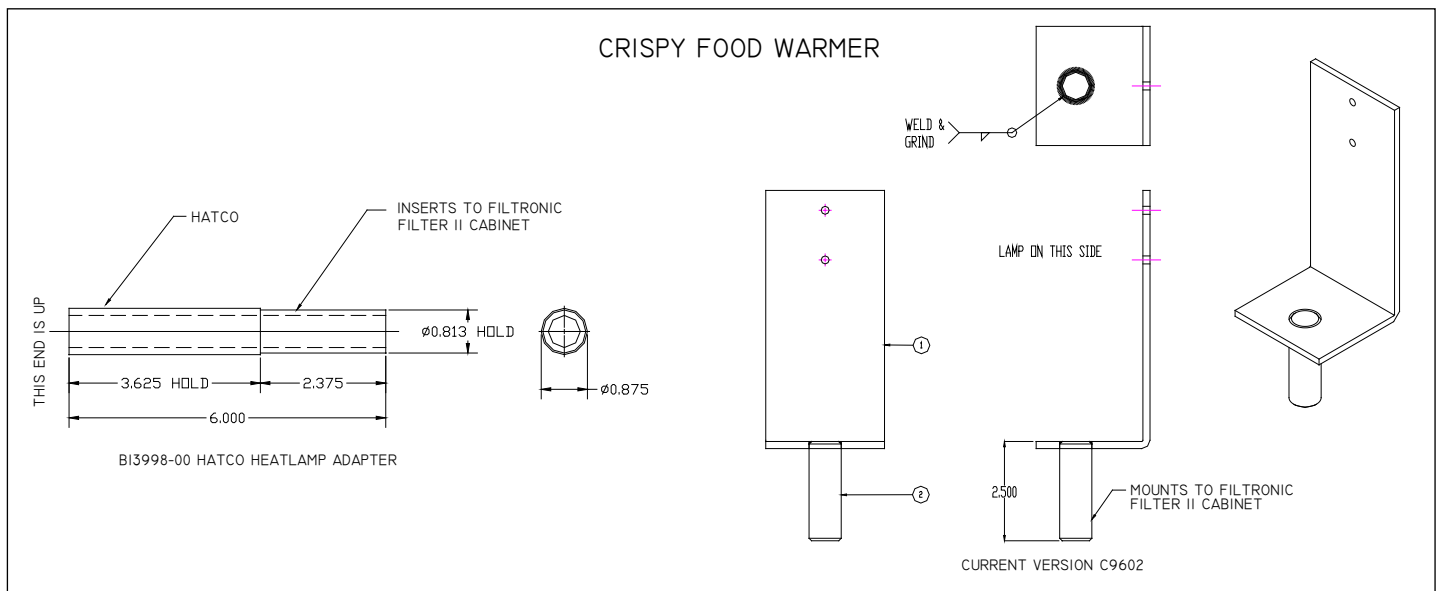
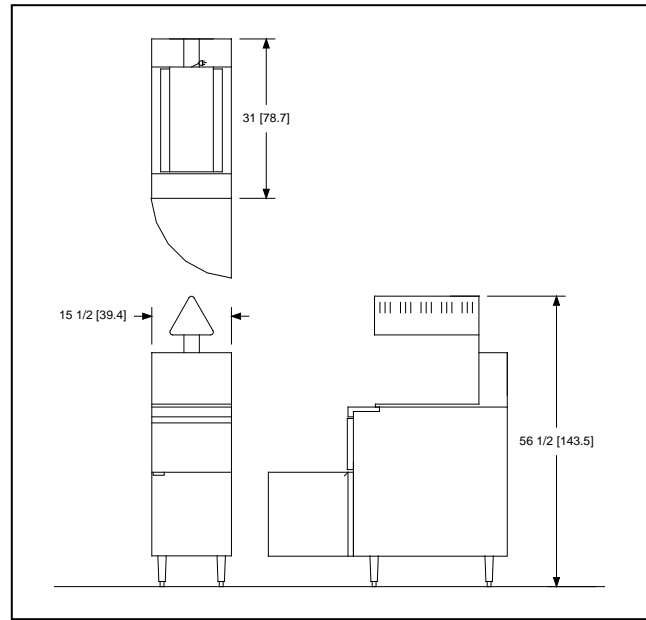
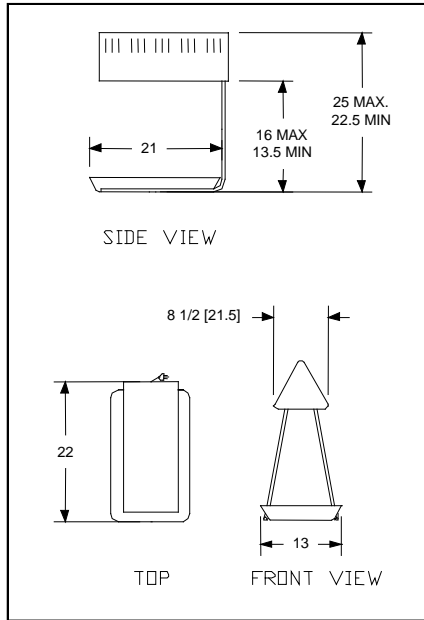
CRISPY FOOD WARMER STANDARD FEATURES

- Two infrared bulbs in choice of white or red
- Shatterproof, teflon-coated bulbs
- Stainless steel hood adjustable to three different heights
- Large easy to clean stainless steel pan with rack (12 1/2" x 20 1/2" x 2 1/2")
- Equipped with an ON/OFF switch
- Six foot cord and plug



Anets Crispy Food Warmer and Fri Crisp

Model
CFW / FRI-CRISP



SPECIFICATIONS

- Model CFW Crispy Food Warmer
FILTRII-14 or 18 Filtronic II filter system equipped with CFW
- Certification CFW & Fri-Crisp UL, NSF
- Electrical Requirements 115V, 4.3 Amps, 500 Watts
Included: 6' grounded cord and plug
- Hood Finish Stainless steel
- Legs/Stand Chrome plated
- Shatter proof bulbs (2) 250 Watt-White
(2) 250 Watt-Red (Optional)

CRISPY FOOD WARMER PARTS LIST

DESCRIPTION	P/N#	120V	240V
Baffle	C5886-00	X	X
Heat Lamp, White-120 volt	P9130-04	X	N/A
Heat Lamp, Red-120 volt	P9130-03	X	N/A
Heat Lamp-220 volt	P9132-20	N/A	X
Pan	P9310-27	X	X
Hood	C5774-00	X	X
Instruction Tag	P9200-68	X	X
Lamp Guard	P9800-47	X	X
Name Plate	P9200-17	X	X
Power Cord Set	P9120-02	X	X
Power Cord Strain Relief	P9110-06	X	X
Power Switch	P9100-12	X	X
Power Switch Plate, ON/OFF	P9100-32	X	X
Screen	P9310-28	X	X
Stand	D2915-00	X	X
Socket, Lamp, Ceramic	P9130-02	X	X
Socket Plate	C5776-00	X	X
Thumb Screw	P8020-10	X	X
Wire Assemble	P9120-99	X	X



ANETS INC PO BOX 501, CONCORD, NH 03302-0501
509 ROUTE 3A, BOW, NH 03304 TEL: 603-225-6684, FAX:603-225-8497
L10-518 R2 www.anets.com

We reserve the right to change specifications without notice and without incurring any Obligation for equipment previously or subsequently sold.