

Item No.

Save On Kitchen Space, Shortening And Labor Costs With The Filter Mate Under Fryer Filter System

Designed to fit under the base system of two 18 GoldenFry™ fryers, the large 120 lb shortening capacity allows this system to be used with 18. Using quick disconnects, the filter is simple to disassemble for cleaning. Filter intake leaves no shortening residue in tank. Easy to identify handles make filtering a simple process. Filter one fryer while cooking in the others. Promotes longer shortening life and a consistent high quality product.

STANDARD FEATURES

- For use with (2) 18 Anets GoldenFry™ fryers (base system).
- Large 120 lb shortening capacity
- Easy quick disconnect assembly
- Anets filter element eliminates clogging when used with special filter paper envelopes
- Filter intake draws shortening from the top and bottom leaving virtually no shortening residue
- Safety interlock shuts off burners to prevent empty frypot from heating
- Stainless steel open tank is removable for easy cleaning



A N E T S
GoldenFRY™

OIL FILTER



ANETS

ANETS INC PO BOX 501, CONCORD, NH 03302-0501
509 ROUTE 3A, BOW, NH 03304 TEL: 603-225-6684, FAX:603-225-8497
L10-519 R1 www.anets.com

We reserve the right to change specifications without notice and without incurring any obligation for equipment previously or subsequently sold.



SPECIFICATIONS

■ Model	FM-18, Filter Mate
■ Certification	NSF, UL
■ Electrical Requirements	120V, 1 Phase, 6 Amps
■ Motor	1/3 HP
■ Pump Speed	5 Gallons per minute
■ Casters	2
■ Filter Tank	Stainless steel
■ Shortening Capacity	120 lbs

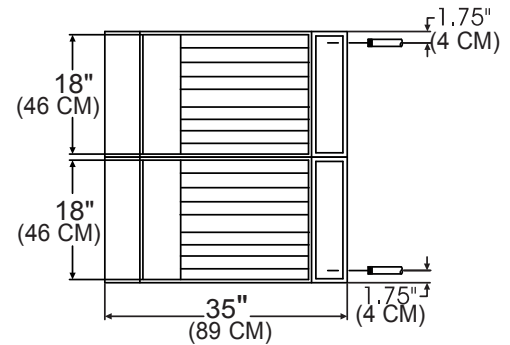
See individual fryer specification sheets for fryer specifications and options

STANDARD ACCESSORIES

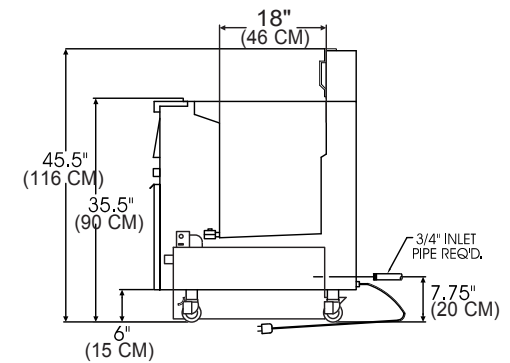
- 5 Envelope filter papers
- (4) 6" Adjustable casters (2 swivel, 2 locking)

OPTIONS AND ACCESSORIES

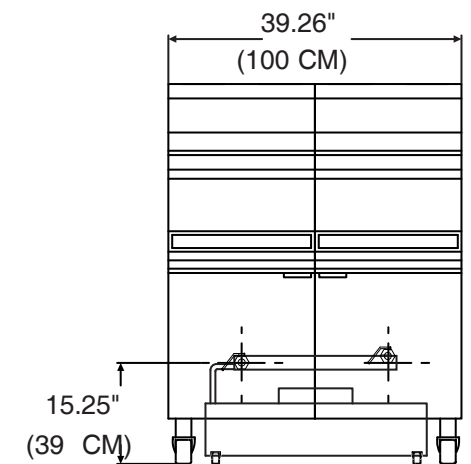
- Hose assembly for shortening disposal
- 100 Envelope filter paper
- Cleaning brush
- Adaptable to other types of filter elements
- Filter Powder/Purifier
 - (60) 5 oz. portion packs
- Common gas manifold



Top View



Side View



Front View