

12•20MW, 12•20W

COMPANION HOLDING CABINET



12•20MW
SHOWN WITH OPTIONAL
ROLL-IN PAN CART



12•20W
SHOWN WITH OPTIONAL
ROLL-IN PAN CART



• HALO HEAT . . . a controlled, uniform heat source that gently holds and surrounds food to provide a better appearance, taste, and longer holding life.

- Uses one-third to one-half the energy of conventional holding equipment.
- Motionless air inside cabinet prevents transfer of flavors, retains more product moisture, and preserves color.
- Close temperature tolerance, along with even heat distribution, maintains an ideal serving temperature throughout the cabinet.
- Non-magnetic stainless steel interior resists corrosion.
- Optional Roll-In Pan Cart (trolley) is designed for maximum capacity and is completely interchangeable with the Combitherm® CombiOven electric model 12•20ES, or gas model 10•20esG.

The CombiMate® holding cabinet features 20 gauge stainless steel construction. The cabinet is controlled with an adjustable, electronic control which includes an ON/OFF button, heat indicator light, temperature set button, and temperature increase and decrease buttons. The control has a range of 60° to 205°F (16° to 96°C) and includes a digital display indicating the air temperature within the cabinet. The door has a heavy duty rotary handle.

Optional Roll-In Pan Cart (trolley) features removable handle, pan support rails to hold twenty-four (24) full-size pans, and six (6) stainless steel wire shelves for sheet pans. Cart includes two (2) rigid casters and two (2) swivel casters with brake.

MODEL 12•20MW: Mobile CombiMate® Companion Holding Cabinet, supported by four (4) heavy duty casters, 2 rigid and 2 swivel with brake

MODEL 12•20W: Stationary CombiMate® Companion Holding Cabinet, supported by four (4) heavy duty equipment legs

FACTORY INSTALLED OPTIONS

Electrical Choices

- Specify Voltage:
 - 208-240
 - 230

➤ Specify Door Swing:

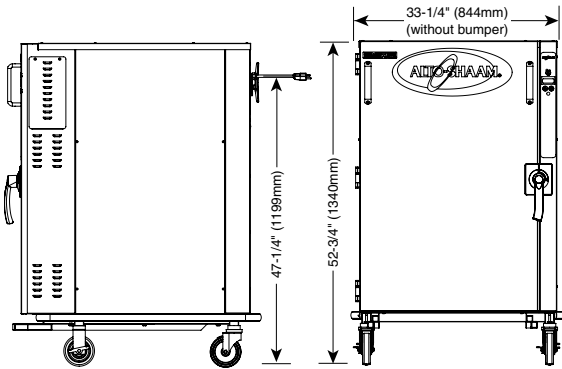
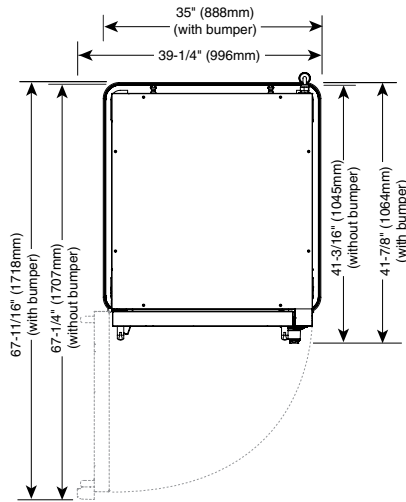
- Left-hand swing, standard
- Right-hand swing, optional



W164 N9221 Water Street • P.O. Box 450 • Menomonee Falls, Wisconsin 53052-0450 • U.S.A.

PHONE: 262.251.3800 800.558.8744 U.S.A./CANADA FAX: 262.251.7067 800.329.8744 U.S.A. ONLY

www.alto-shaam.com




WEIGHT	
NET	275 lb (125 kg) EST.
SHIP	410 lb (186 kg)
CARTON DIMENSIONS: (L x W x H)	
	53" x 53" x 87"
	(1364mm x 1364mm x 2210mm)

CLEARANCE REQUIREMENTS		
BACK		3" (76mm)
TOP		2" (51mm)
EACH SIDE		1" (25mm)

INSTALLATION REQUIREMENTS
 Cabinet must be installed level. It must not be installed in any area where it may be affected by steam, grease, dripping water, high temperatures, or any other severely adverse conditions.

DIMENSIONS: H x W x D	
EXTERIOR:	52-3/4" x 35" x 41-7/8" (1340mm x 888mm x 1064mm)
INTERIOR:	37-7/16" x 25-5/16" x 33-7/8" (950mm x 642mm x 860mm)

ELECTRICAL						
VOLTAGE	PHASE	CYCLE/HZ	AMPS	kW	CORD & PLUG	
208-240 (AGCY)	1	50/60	16.0	3.8	 NEMA 6-20P 20A-250V Plug	
208	1	50/60	13.9	2.9		
240	1	50/60	16.0	3.8		
230	1	50/60	15.3	3.5	NO CORD OR PLUG	

PRODUCT/PAN CAPACITY	
288 lb (132 kg) MAXIMUM	
VOLUME MAXIMUM: 180 QUARTS (228 LITERS)	
OPTIONAL ROLL-IN PAN CART:	
FULL-SIZE PANS: Twenty-four (24) 20" x 12" x 2-1/2" MAXIMUM	
GN 1/1: Twenty-four (24) 530mm x 325mm x 65mm	
GN 2/1: Twelve (12) 650mm x 530mm x 65mm	
FULL-SIZE SHEET PANS: Six (6) 18" x 26" x 1" (12 WITH ADDED SHELVES)	

OPTIONS & ACCESSORIES	
<input type="checkbox"/> Preheat Sealing Strip	5007925
<input type="checkbox"/> Roll-in Pan Cart, 12•20ES	UN-27968
48-13/16" x 28-3/4" x 35-3/16" (1240mm x 730mm x 892mm)	
SIX (6) STAINLESS STEEL WIRE SHELVES	
TWELVE (12) PAN SUPPORT RAIL POSITIONS	
2-9/16" (65mm) VERTICAL SPACING BETWEEN RAILS	
21-1/16" (535mm) HORIZONTAL WIDTH BETWEEN RAILS	
<input type="checkbox"/> Roll-in Pan Cart, 10•20ESG	UN-27964
44-7/8" x 28-15/16" x 35-3/16" (1139mm x 734mm x 892mm)	
FIVE (5) STAINLESS STEEL WIRE SHELVES	
TEN (10) PAN SUPPORT RAIL POSITIONS	
2-9/16" (65mm) VERTICAL SPACING BETWEEN RAILS	
21-1/16" (535mm) HORIZONTAL WIDTH BETWEEN RAILS	
<input type="checkbox"/> Roll-in Plate Cart, 12•20ES	UN-27969
48-3/4" x 28-15/16" x 36-7/8" (1238mm x 734mm x 937mm)	
2-3/4" (70mm) BETWEEN PLATES, 70 PLATES	
<input type="checkbox"/> Roll-in Plate Cart, 12•20ES	UN-28456
48-3/4" x 28-15/16" x 36-7/8" (1238mm x 734mm x 937mm)	
3-3/4" (96mm) BETWEEN PLATES, 52 PLATES	
<input type="checkbox"/> Roll-in Plate Cart, 10•20ESG	UN-27965
43-15/16" x 28-15/16" x 39-13/16" (1115mm x 734mm x 1011mm)	
2-3/4" (70mm) BETWEEN PLATES, 58 PLATES	
<input type="checkbox"/> Stainless Steel Wire Shelves	SH-22473
TO ACCOMMODATE FULL-SIZE SHEET PANS	