

CS-200

HEATED CARVING STATION



- HALO HEAT . . . a controlled, uniform heat source radiating heat directly from the carving shelf surface.
- Fixed double lamp assembly provides additional heat to the product surface for greater ambient surface temperature control.
- Proper and safe serving temperatures maintained without additional cooking.
- Shelf surface is recessed to catch drippings.
- Sanitary cutting board with gravy lane completely removable. NSF and USDA listed.
- Designed to fit on top of a HALO HEAT Cook & Hold Oven, Heated Holding Cabinet, or suitable for placement on any surface.
- Clear glass customer breath guard easily slides in place and meets new NSF breath guard specifications.
- Low energy usage.



CS-200 heated carving station is constructed with 18 gauge stainless steel and includes one (1) ON/OFF power switch and one (1) indicator light. Heated shelf base is controlled by one (1) three position toggle switch for LOW/MED/HIGH heat. The 250 watt infrared heat lamps are controlled by one (1) ON/OFF switch. The exterior has a recessed surface to catch drippings and is furnished with one (1) set of 1" (25mm) legs and one (1) 21-5/8" x 21-5/8" x 1/2" (550mm x 550mm x 13mm) cutting board. It is available with or without a clear glass breath guard that is framed and easily slides into place.

MODEL CS-200: Carving shelf with two lamps

MODEL CS-200/S: Carving shelf with two lamps and clear glass customer breath guard



ADDITIONAL ACCESSORIES

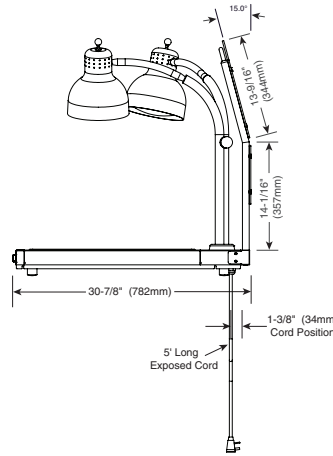
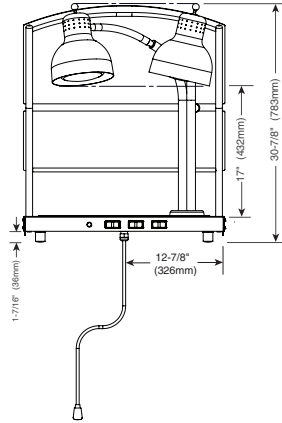
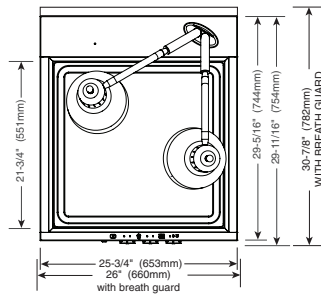
- Carving Holders
- Cutting Board



W164 N9221 Water Street • P.O. Box 450 • Menomonee Falls, Wisconsin 53052-0450 • U.S.A.

PHONE: 262.251.3800 800.558.8744 U.S.A./CANADA FAX: 262.251.7067 800.329.8744 U.S.A. ONLY


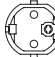
www.alto-shaam.com



DIMENSIONS: (H x W x D)

30-7/8" x 26" x 30-7/8"
(783mm x 660mm x 782mm)

ELECTRICAL

VOLTAGE	PHASE	CYCLE/HZ	AMPS	kW	CORD & PLUG
120	1	60	6.3	.75	 NEMA 5-15P 15A - 120V Plug
230	1	50/60	3.26	.75	 CEE 7/7, 220-230V PLUG

PRODUCT/PAN CAPACITY

70 lbs (32 kg) MAX.
(LARGE STEAMSHIP ROUND)

WEIGHT EST

NET	45 lb	(20 kg)
SHIP	75 lb	(34 kg)
CRATE DIMENSIONS (L x W x H)		
35" x 35" x 31"		
(889mm x 889mm x 787mm)		

INSTALLATION REQUIREMENTS

Carving shelf must be installed level, and must not be installed in any area where it may be affected by steam, grease, dripping water, high temperatures, or any other severely adverse conditions.

ATTENTION

Warranty does not apply if the shelf is flooded or immersed in water.

STACKING CONFIGURATIONS

on 750-S holding cabinet
on 750-TH-II or /III cook & hold oven
on 767-SK or SK/III smoker oven

Note: Remove rubber feet and spacers prior to installation on 750 & 767 Series units.

OPTIONS & ACCESSORIES

Carving Holders		
<input type="checkbox"/> Prime Rib		HL-2635
<input type="checkbox"/> Steamship Round		4459
Cutting Board		
<input type="checkbox"/> Full-size: 21-5/8" x 21-5/8" x 1/2"	(550mm x 550mm x 13mm)	BA-28066
<input type="checkbox"/> Half-size: 10-3/4" x 21-5/8" x 1/2"	(273mm x 550mm x 13mm)	BA-29244