

PRODUCT:

QUANTITY:

ITEM:

Designed Smart

Leader in “Hot and Fresh” Food Equipment!

- APW Wyott has a wide variety of “Hot and Fresh” Food equipment and the best supporting elements in refrigerated or heated dispensers, pumps and condiment Stations.
- The Mr. Frank Hot Dog Display Broiler, when combined with the Top-Mounted Bun Holder (BH-1A) and the Condiment Serving Station, is unmatched in building impulse sales and “Hot and Fresh” Food profits.
- Mr. Frank Hot Dog Display Broiler features eye-catching hot dog graphics with the “Hot and Fresh” theme.



Model: DR-1A Hot Dog Broiler with optional BH-1A Bun Holder

Designed to Deliver Great Tasting Hot Dogs!

- Heating system can be turned to Broiling temperatures for cooking Hot Dogs in less than 15 minutes and turned down to NSF safe holding temperatures for serving customers.
- Broiler holds 48 hot dogs in broiling racks, Bun holder holds 36 buns.
- Equipment can broil up to 150 Hot Dogs per hour.

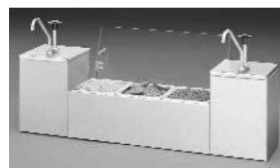
Easy to Operate and Maintain!

- Broiler heats quickly and has a fast recovery for unexpected surges in hot dog demand.
- Broiler is designed to require minimal labor: Operator can easily access broiler racks through front of unit.
- Front panel is open (no glass) for self-merchandising.
- Pause button can stop rotation of rack for easy loading and unloading of hot dogs, without turning off heating element.
- Now improved broiling rack to rotate product during broiling.
- Stainless steel interiors and exteriors are easy to wipe clean.
- Broiling racks are easy to remove from cabinet and clean.

APW Wyott Design Features

- Cabinet is constructed of stainless steel for maximum durability.

APW Wyott Supporting Products



Condiment Serving Station (CSS-DTS)

- * Includes two 1-gallon end wells with pumps and a non-refrigerated section of container.

Refrigerated Condiment Serving Station (RTR-4)

- RTR-4 includes four removable hinged cover pans.
- Totally refrigerated.



Reliability backed by APW Wyott's Warranty

All APW Wyott Hot Dog Equipment is backed by a 1-year limited warranty and a 1-year on-site labor warranty.

•Certified by the following agencies:



*Warranty does not include rock grates, cooking grates, burners shields or fireboxes.

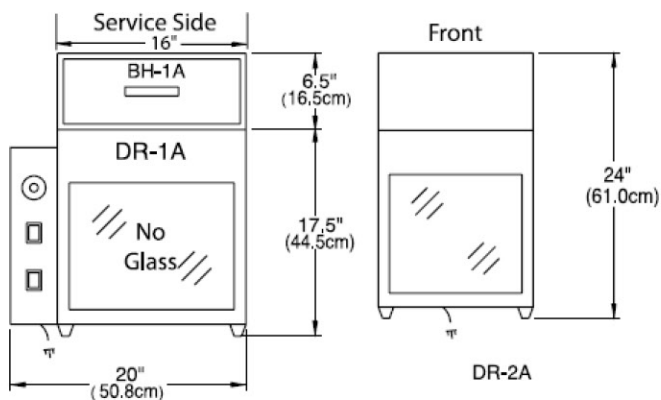
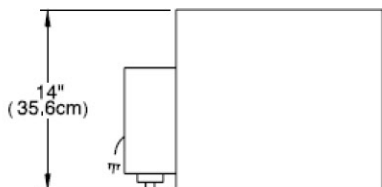
See reverse side for product specifications.

PRODUCT:

QUANTITY:

ITEM:

PRODUCT SPECIFICATION



Construction:

Stainless steel body with tempered glass and removable wire product baskets. Side-mounting motor and controls

Electrical Information:

Each 120V unit is equipped with at least 60" three grounded power cord which terminates with a standard three-pronged male plug. The 120V unit utilizes a NEMA 5-15P plug. The 240V unit is provided with a 60" power cord with no plug. Plug exits out of rear of the unit.

Electrical Specifications:

120V, 1310W, 10.9 Amps
240V, 1310W, 5.4 Amps

Overall Dimensions:

DR-1A: 17 1/2"H x 20"W x 14"D
(44.5 cm x 50.8 cm x 35.6 cm)

DR-2A: 24"H x 20"W x 14"D
(61 cm x 50.8 cm x 35.6 cm)

BH-1A: 6 1/2"H x 16"W x 14"D
(16.5 cm x 40.6 cm x 35.6 cm)

Shipping Weight:

DR-1A: 45 lbs (20.4 kg)
DR-2A: 57 lbs (25.8 kg)
BH-1A: 10 lbs (4.6 kg)

FOB: Cheyenne WY 82007

*APW Wyott reserves the right to modify specifications or discontinue models without incurring obligation.