

PRODUCT:

QUANTITY:

Models GST-2 GST-3 GST-4 GST-5
ITEM:

Designed Smart

APW Hot Well Gas Steam Tables are constructed of heavy gauge stainless steel with die stamped top.

- Stainless steel liner is standard
- Each compartment insulated with 1" thick fiberglass
- ½" thick poly cutting board mounted on stainless steel shelf supported by stainless steel brackets

APW Wyott Design Features

Heavy gauge stainless steel construction for the body.

Features include:

- Poly cutting board
- Stainless steel dish shelf
- UL Gas Fired and UL Sanitation approved
- Full range of options and accessories.
- Individual controls for peak performance
- Recessed controls for improved protection and safety
- Each well features a 3,500 BTU burner
- Fully adjustable Hi-Med-Low valve
- Coated Steel Heat Spreader

Reliability Backed by APW Wyott's Warranty

All APW Wyott cooking equipment is backed by a 1-year limited warranty and a 1-year on-site labor warrant. *

Certified by the following agencies:



Model: GST-5

Options and Accessories

Cutting Boards

- NSF approved Plastic Cutting Boards – 7 1/2" X 1/2"
- Hardwood – 8" X 1-1/4"
- Richlite Heat-Resistant – 7 1/2" X 1/2"

- Serving Shelves with Glass Protector
- Plate Shelves
- Tubular Tray Slide – 3-Bar
- Buffet Shelves
- Spillage Pans
- Adjustable Overall Shelf System
- Pot Hooks
- Deluxe Serving Shelves
- Solid Tray Slide
- Rolltop Covers
- Adapter Bars for Food Pans – 10" X 12"
- Adapter Tops for Round Inserts –4-, 7-, and 11-Quart

Note: All accessories can be added in the field at any time.

PRODUCT:

QUANTITY:

Models GST-2 GST-3 GST-4 GST-5
ITEM:

PRODUCT SPECIFICATIONS

Construction:

All stainless steel wrapper. Individual controls for peak performance.

Freight Class: 85

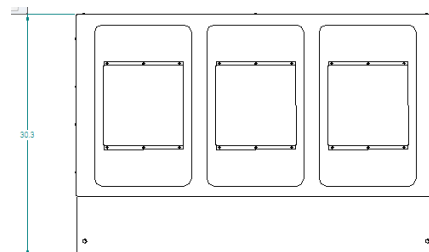
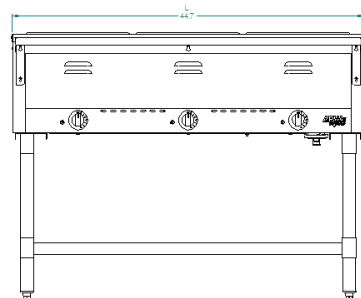
FOB: Standex Dock

Minimum Clearances

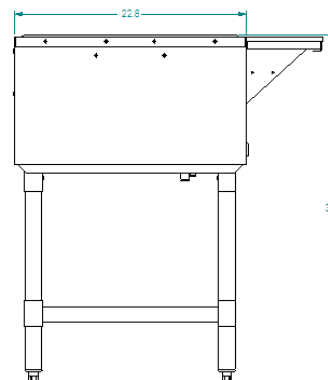
Front	1"
Right	1"
Left	1"
Rear	1"

Gas Supply

Gas Type	Manifold Pressure		Inlet Pressure	
	WC	Mbar	WC	Mbar
Natural	3.5"	9 min	7"	17.5 min
Propane	10"	25 min	11"	27.0 min



Model #	# of top openings	Length	Weight	BTU Rating
GST-2-NG	2	30 5/8"	97 lbs	7,000
GST-3-NG	3	44 5/8"	125 lbs	10,500
GST-4-NG	4	58 5/8"	158 lbs	14,000
GST-5-NG	5	72 5/8"	193 lbs	17,500
GST-2-LP	2	30 5/8"	97 lbs	7,000
GST-3-LP	3	44 5/8"	125 lbs	10,500
GST-4-LP	4	58 5/8"	158 lbs	14,000
GST-5-LP	5	72 5/8"	193 lbs	17,500



*APW Wyott reserves the right to modify specifications or discontinue models without incurring obligation.