

PRODUCT:

QUANTITY:

ITEM #:

Designed Smart

Developed for High Performance!

- X*PERT SERIES Holding Drawers are designed to hold everything from crispy foods to moist foods at required UL Sanitation temperatures.
- Heating system is designed to provide fast start-ups and heat recoveries when drawers are open and closed.
- Thermostatic controls in each drawer precisely regulate temperatures between 80° and 220°.
- Perimeter heating elements distribute heat evenly through the drawer area, promoting consistent food temperatures throughout the food pan while avoiding scalding due to warmer "hot spots".
- Vent slides in each drawer front allow operator to control the amount of humidity in each compartment.
- Adjustable pan supports accommodate various pan sizes.

Energy Efficient!

- The complete drawer compartment is protected with one inch fiberglass insulation, including the drawer front panels. Insulation focuses heat into the food and keeps exterior panels "cool to the touch".

Easy to Maintain and Service!

- Holding pan lifts directly out of drawer, allowing for quick cleaning and maintenance.

Built Solid

Built to Last

- Frame, interior and exterior construction is made with stainless steel.
- Drawers are constructed with 11 gauge stainless steel drawer slides that ride on two reinforced 14 gauge stainless steel slide brackets. (Will not bend or warp drawer tracking system.)
- Each drawer slide rides on 4 self lubricated, stainless steel rollers that are secured to the interior walls with a reinforced bolt system.
- X*PERT™ SERIES drawer slides feature a unique "jam-free" side roller, a design that facilitates the smoothest closing action in the industry from any angle in which the operator pushes the drawer.

Reliability backed by APW Wyott's Warranty

All APW Wyott holding drawers are backed by a 1-year parts and labor warranty, including on-site service calls within 50 miles of authorized service technicians.

Certified by the following agencies:



Model: HDDi-1B Built-in Holding Drawer

APW Wyott Design Features

- Heavy-duty stainless steel construction for the frame, exterior and interior.
- Fully insulated compartments with 1" thick fiberglass sheets on top, sides, and drawer fronts.
- 11 gauge stainless steel drawer slides with reinforced 14 gauge slide brackets.
- Side "Jam-free" roller design on the drawer slide.
- Each drawer individually controlled by a protected thermostat, indicator lamp and rolling read-out thermometer.
- Temperature range of 80°-220°F (27°-104°C).
- Adjustable vent controls on each drawer.
- Each drawer has removable 12"x20"x6" deep stainless steel pan.
- Adjustable pan supports accommodate various pan sizes.
- Built-ins have a terminal block for quick installation.

Options

- Perforated well-pan bottom (14900)
- Color Drawer Fronts (call factory for available colors and cost)
- Spillage pan (33018)

Consultant Specifications

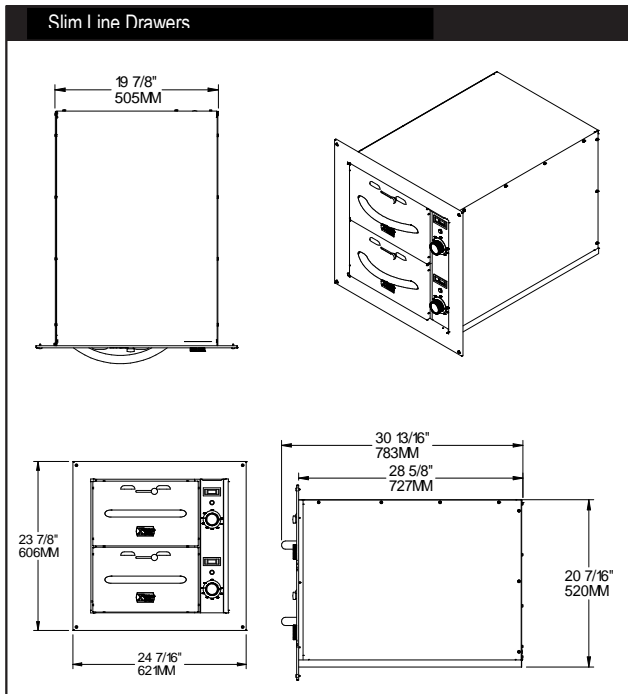
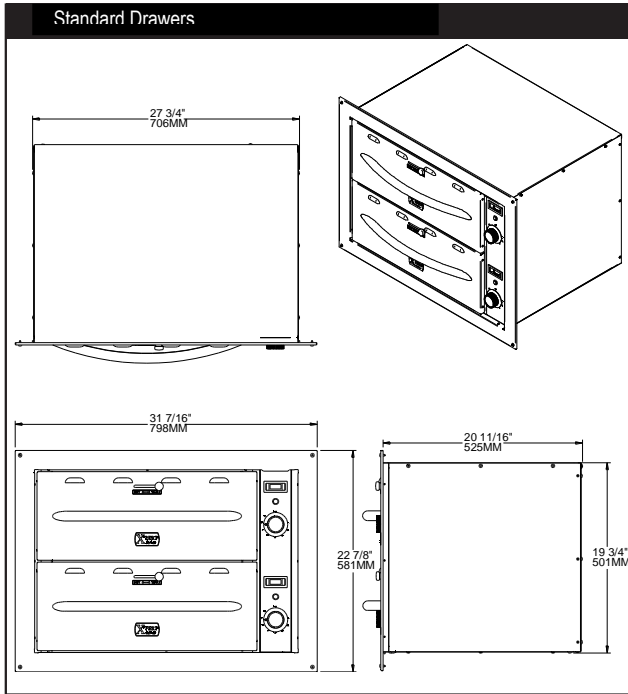
The Holding Drawer Warmers shall be a APW Wyott Model ..., as manufactured by the APW Wyott, Dallas, TX, U.S.A. The unit shall have ...drawer(s) and be rated at ...watts, ...amps. Freestanding model shall be equipped with a cord and plug. The Drawer Warmer shall have a stainless steel exterior, interior, drawer slides, and assembly. Drawer rollers shall be self lubricated, stainless steel. The drawer slide shall have the "jam-free" side roller system. The unit shall be insulated in the top, sides and drawer fronts of each compartment and have individual power switch, thermostat and temperature monitor for each drawer.

See reverse side for product specification

PRODUCT:

QUANTITY:

ITEM #:



PRODUCT SPECIFICATIONS

Construction:

Stainless steel exterior construction; reinforced stainless steel drawer slides and roller; insulated on top and side panels with 1-inch fiberglass insulation.

Electrical Information:

Each unit is equipped with a terminal block that is ready for field wiring.

Flange Information:

	Top	Side
Standard:	2"	2"
Slimline:	2-1/2"	2-1/2"

Shipping:

Freight Class: 92 ½
FOB Arizona, 85621

Standard Holding Drawers				
	Electric	Dimensions	Shipping Wt.	
HDDi-1B	120V, 450W, 3.8Amps	Base Unit 10-3/8"Hx27-3/4"Wx20-11/16"D	103 lbs	
	208V, 450W, 2.1Amps	Cutout (264mm x 706mm x 525mm) 11"H x 28-3/8"W	(49kg)	
	240V, 450W, 1.8Amps	(279mm x 721mm)		
HDDi-2B	120V, 900W, 7.5Amps	Base Unit 19-3/4"Hx27-3/4"Wx20-11/16"D	150 lbs	
	208V, 900W, 4.3Amps	Cutout (502mm x 706mm x 525mm) 20"H x 28-3/8"W	(68kg)	
	240V, 900W, 3.7Amps	(508mm x 721mm)		
HDDi-3B	120V, 1350W, 11.3Amps	Base Unit 29-1/8"Hx27-3/4"Wx20-11/16"D	200lbs	
	208V, 1350W, 6.5Amps	Cutout (740mm x 706mm x 525mm) 29-3/4"H x 28-3/8"W	(91kg)	
	240V, 1350W, 5.6Amps	(756mm x 721mm)		
Slimline Holding Drawers				
	Electric	Dimensions	Shipping Wt.	
HDDiS-1B	120V, 450W, 3.8Amps	Base Unit 11-1/8"Hx19-7/8"Wx28-5/8"D	103 lbs	
	208V, 450W, 2.1Amps	Cutout (282mm x 505mm x 727mm)	(49kg)	
	240V, 450W, 1.8Amps	11-11/16"Hx20-1/2"W (297mm x 521mm)		
HDDiS-2B	120V, 900W, 7.5Amps	Base Unit 20-7/16"Hx19-7/8"Wx28-5/8"D	150 lbs	
	208V, 900W, 4.3Amps	Cutout (519mm x 505mm x 727mm)	(68kg)	
	240V, 900W, 3.7Amps	21-1/2"Hx20-1/2"W (548mm x 521mm)		
HDDiS-3B	120V, 1350W, 11.3Amps	Base Unit 29-7/8"Hx19-7/8"Wx28-5/8"D	200lbs	
	208V, 1350W, 6.5Amps	Cutout (759mm x 505mm x 727mm)	(91kg)	
	240V, 1350W, 5.6Amps	31-1/2"Hx20-1/2"W (800mm x 521mm)		

*APW Wyott Reserves the right to modify specifications or discontinue models without incurring obligation.