

PRODUCT:

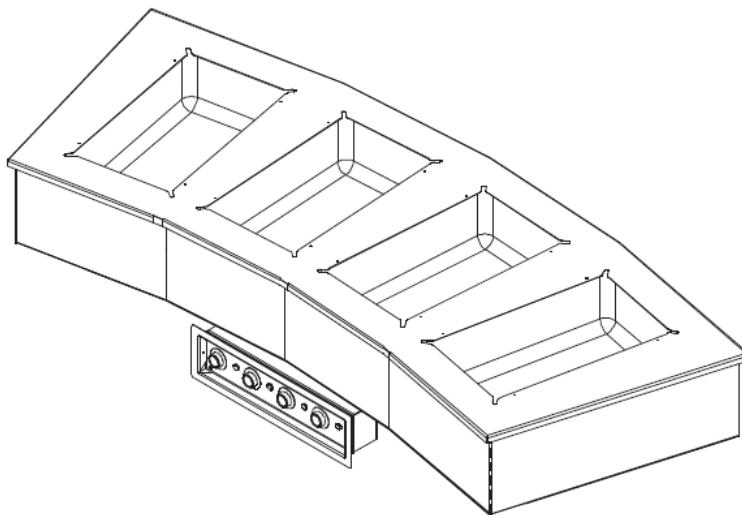
QUANTITY:

Models:  HFWC-2  HFWC-3  HFWC-4  HFWC-5  
ITEM:

## Designed Smart

### Compact Design with High Output

The Drop-In Hot Well is a heavy duty top mounted insulat Curved food well for installation in metal or wood countertops. The wells are all S/S tops & wells and designed to hold standard size steamtable pans.. Units come standard with APW EZ Locks, electrical conduit, bezel & control box for easy installation



## APW Wyott Design Features

- Top is constructed of 18-gauge stainless steel
- Flush mounted die stamped drawn 12" x 20" individual 18-gauge wells
- Wells depressed slight into the top to hold in condensation
- Standard 1/2" stainless steel drain
- Non-marring press fit top gasket
- Individual infinite temperature controls standard
- Wet & Dry operation
- Galvanized exterior body

## Reliability backed by APW Wyott's Warranty

APW Wyott Drop-In Hot Wells are backed by a 1-year parts and labor warranty, including on-site service calls within 50 miles of authorized service technicians.

## Certified by the following agencies:

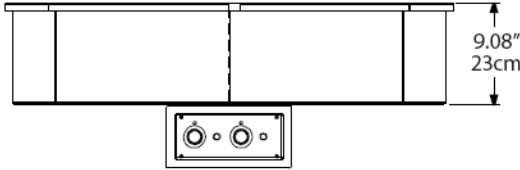


See reverse side for product specifications.

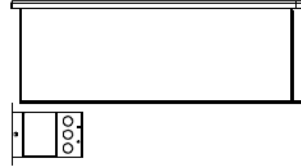
PRODUCT:

QUANTITY:

Models:  HFWC-2  HFWC-3  HFWC-4  HFWC-5  
ITEM:

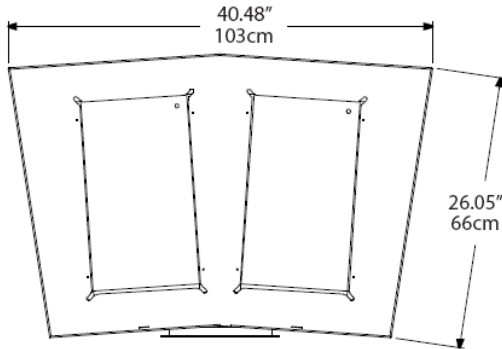
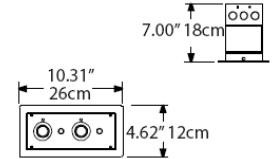


HFWC-2 Elevation View

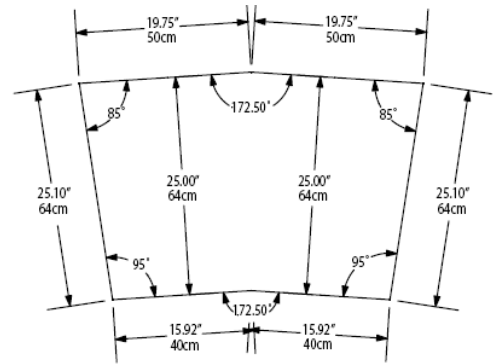


HFWC-2 Side View

Remote Control Cut Out  
Dimensions



HFWC-2 Plain View



HFWC-2 Cut-Out View

## PRODUCT SPECIFICATIONS

### Construction:

Interior is stainless steel; exterior is aluminized steel

**Freight Class: 100**

**FOB: Tennessee, 38372**

MODEL	DIMENSIONS
HFWC-2	40.48"H x 26.05"D
HFWC-3	57.22"H x 26.05"D
HFWC-4	73.68"H x 26.05"D
HFWC-5	89.80"H x 26.05"D

MODEL	VOLTS	Hz	PHASE	AMPS	WATTS	WEIGHT	# OF PANS
HFWC-2	120	60	1	16.6	2000	99 Lbs	2
HFWC-3	208-230	60	1	15/16	3000/4000	134 Lbs	3
HFWC-4	208-230	60	1	20/22	4000/4800	166 Lbs	4
HFWC-5	208-230	60	1	24/27	5000/6000	186 Lbs	5

\*APW Wyott reserves the right to modify specifications or discontinue models without incurring obligation.