

PRODUCT:

QUANTITY:

ITEM:

Designed Smart

Commercial Grade Electronics

- Every electronic component specified for the commercial kitchen environment
 - Robust Internal components
 - Grease Filters
 - High Capacity Cooling

Self Diagnostics

- Built-in microprocessor
- Monitors key internal components 120 times per second
- Prevents overheating and/or blocked airflow

Heavy Duty Shott Glass Cooking Area

- Withstands temperatures up to 1000° F
- Tough Schott Glass Surface
- Easy to clean

Easy to Use Controls

- Cook by the numbers
- Heat level visual display



APW Wyott Design Features

- Single cooking zone Induction Wok with rotary knob power control
- 3200/3500W, 208/240V, 50/60Hz
- Separate controls for each cooking zone
- 4" adjustable heavy duty legs
- 19 power settings with 20 hold temperatures
- For use with induction-ready cookware
 - Ferrous Stainless Steel
 - Iron
 - Cast Iron

Reliability backed by APW Wyott's Warranty

All APW Wyott cooking equipment is backed by a 1-year warranty and a 1-year on-site labor warrant. *

- Pending Certification by the following agencies:



Intertek



Intertek

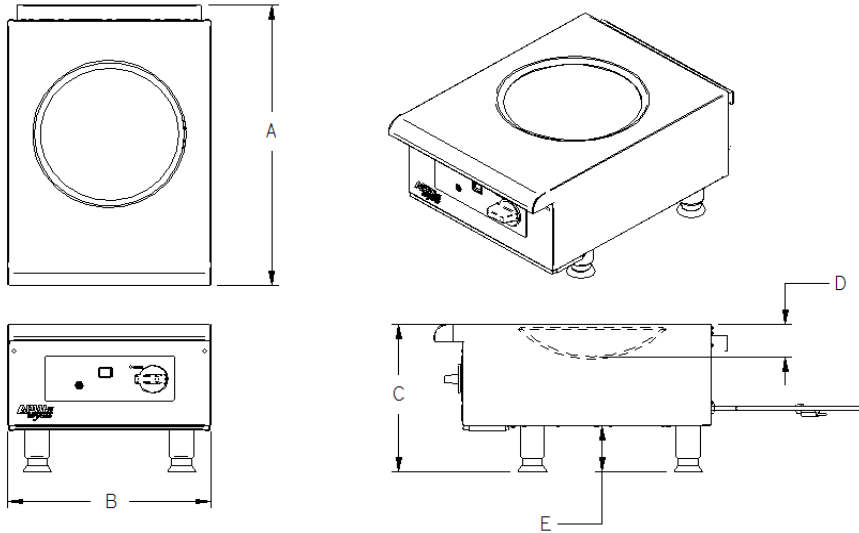


See reverse side for product specifications.

PRODUCT:

QUANTITY:

ITEM:



Model	A	B	C	D	E
IHP-1	24 ½"	17"	12 7/8"	2 7/8	4"

Product Specifications

Construction:

Stainless Body with stainless steel and Shott Glass Wok bow. Adjustable legs 4-6".

Electrical Information:

Each unit is equipped with at least a 66", three wire grounded power cord, which terminates with a standard three-pronged male plug.

Shipping Information:

See table for weight
 Freight Class 92 ½
 FOB: Arizona 85621

Electrical Specifications:

Model	Voltage	HZ	Watts	Phase	Amps	Plug Type	Shipping Weight
IWK-1	208/240V AC	50/60	3200/3500W	Single	15	6-20P	50lbs (22.7kg)

*APW Wyott reserves the right to modify specifications or discontinue models without incurring obligatin.