

PRODUCT:

QUANTITY:

ITEM:

## Designed Smart

### Bid Specifications

Mobile cantilever-type, self-leveling dispensers to store racks of cups or glasses or trays at a constant dispenser height for customer convenience. These enclosed dispensers are available in unheated or heated models for a variety of tray or rack sizes. The MCTRS series also accommodates two stacks of china in addition to trays or racks through the use of drop-in dish dispensers. All units feature an easily adjustable dispensing system which covers a wide load rate range. By connecting self-contained extension springs, the spring rate can be increased in increments of one lb/inch. Stainless steel construction. 4" rubber casters included. Cater brakes on rear casters.



Model MCTRS

Model MCTR

Model: Mobile Cantilever Lowerators

## APW Wyott Design Features

- Stainless steel construction
- Protective corner bumper standard
- Tray carrier will not tip or bind
- Convenient push handle
- Lift-out panel for easy access to dispensing mechanism

## Reliability backed by APW Wyott's Warranty

All APW Wyott Lowerators are backed by a 1-year limited warranty and a 1-year on-site labor warrant. \*

- Certified by the following agencies:



### Models

MCTR-1418	MCTR-1616	MCTR-1620
MCTR-1622	MCTR-1020	MCTR-2020
MCTRS-2020-5	MCTRS-2020-6	MCTRS-2020-6.5

### OPTIONS

- Add options suffix number below to model number
- 5P 5" polyurethane casters, tow with brakes
  - OS Overshelf installed on Models MCTR
  - Custom plastic laminate exteriors

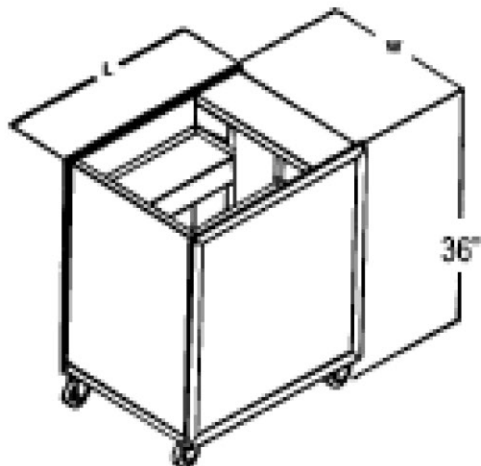
See reverse side for product specifications.

PRODUCT:

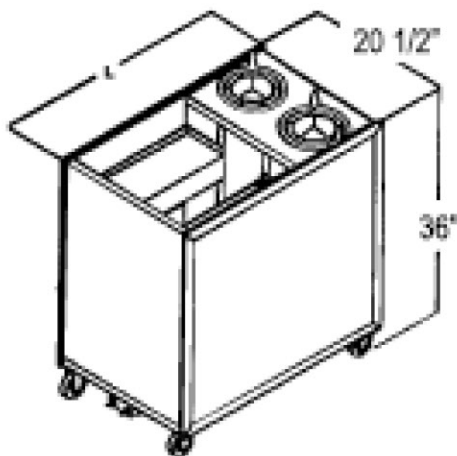
QUANTITY:

ITEM:

Model MCTR



Model MCTRS



## PRODUCT SPECIFICATION

### Construction:

Stainless steel construction. Standard non marking 4" hard rubber casters and rubber perimeter bumpers.

### Capacity:

To 125 trays, 14 dozen cups, 16 dozen glasses. Saucer dispenser up to six dozen saucers each. Vertical storage 27 1/2" (23 travel and 4 1/2" to top of unit).

### Total load capacity:

Up to 250 lbs.

FOB: Cheyenne, WY 82007

Model Number	Platform Dimensions		Overall Dimensions		Shipping Weight	Saucer size
	W1	L1	W	L		
MCTR-1418	14 1/2"	18 1/2"	18"	28 1/4"	160 lbs	-
MCTR-1616	16 3/4"	16 3/4"	20 1/4"	26 1/2"	175 lbs	-
MCTR-1620	16 3/4"	20 3/4"	20 1/4"	30 1/2"	175 lbs	-
MCTR-1622	16 3/4"	22 1/2"	20 1/4"	32 1/4"	180 lbs	-
MCTR-1020	20 1/2"	10 1/2"	24"	20 1/4"	180 lbs	-
MCTR-2020	20 1/2"	20 1/2"	24"	30 1/4"	204 lbs	-
MCTRS-2020-5	20 1/2"	20 1/2"	24"	40 3/8"	247 lbs	Up to 5"
MCTRS-2020-6	20 1/2"	20 1/2"	24"	40 3/8"	247 lbs	5 1/8" to 5 3/4"
MCTRS-2020-6.5	20 1/2"	20 1/2"	24"	40 3/8"	247 lbs	5 7/8" to 6 1/2"

\*APW Wyott reserves the right to modify specifications or discontinue models without incurring obligation.