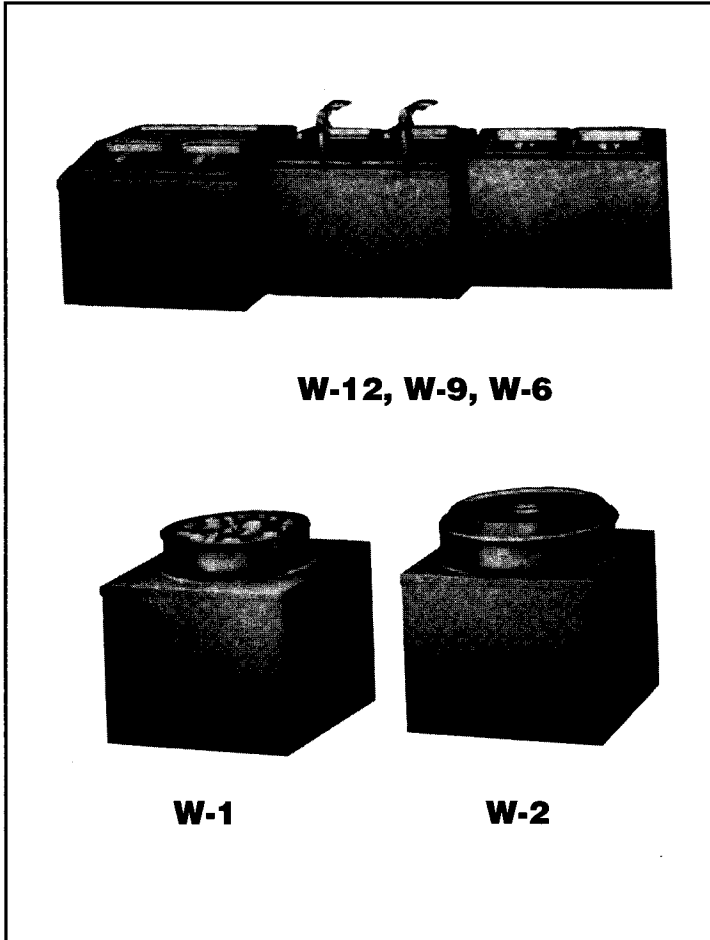




# COUNTERTOP FOOD AND FRACTIONAL WARMERS

Model W



- W-1
- W-2
- W-3
- W-4
- W-6
- W-9
- W-12

## BID SPECIFICATIONS

Warmers are constructed and designed to have the product held precooked and up to serving temperature before the product is placed in the warming unit. The units are constructed with a 20 ga. deep-drawn, one-piece die-stamped liner in high quality 300 Series stainless steel. Each unit uses a metal sheath tubular heating element with low resistance for longer element life. Units are fully insulated with superior element configuration to provide even heat distribution. W-1, -3, -4 are equipped with infinite control; W-6, W-9, W-12 are thermostatically controlled. A quality Robertshaw infinite control is standard along with a pilot light to indicate operation. A 6' cord and plug is provided to meet NEMA requirements.

## STANDARD FEATURES

### Countertop Food Warmers

- Compact, portable.
- Easy to maintain.
- Heavy-duty stainless steel construction.
- Infinite control.

### Fractional Warmers

- Compact, portable and inexpensive.
- Stainless steel construction.
- Easy to clean.
- Use with standard steamtable pans and covers (1/2 size, 1/4 size, 1/3 size, 1/6 size).
- 1/3 low-temp topping warmer holds chocolate, icings and toppings at perfect temperature.
- Direct reading knob 80°F to 220°F (27°C to 104°C). On thermostatically controlled units.

## WARRANTY

- One-Year, parts and labor.

See reverse side for product specifications.

**Models W Countertop Food Warmers and Fractional Warmers (shown w/accessories)**



**APW/Wyott Foodservice Equipment Company**

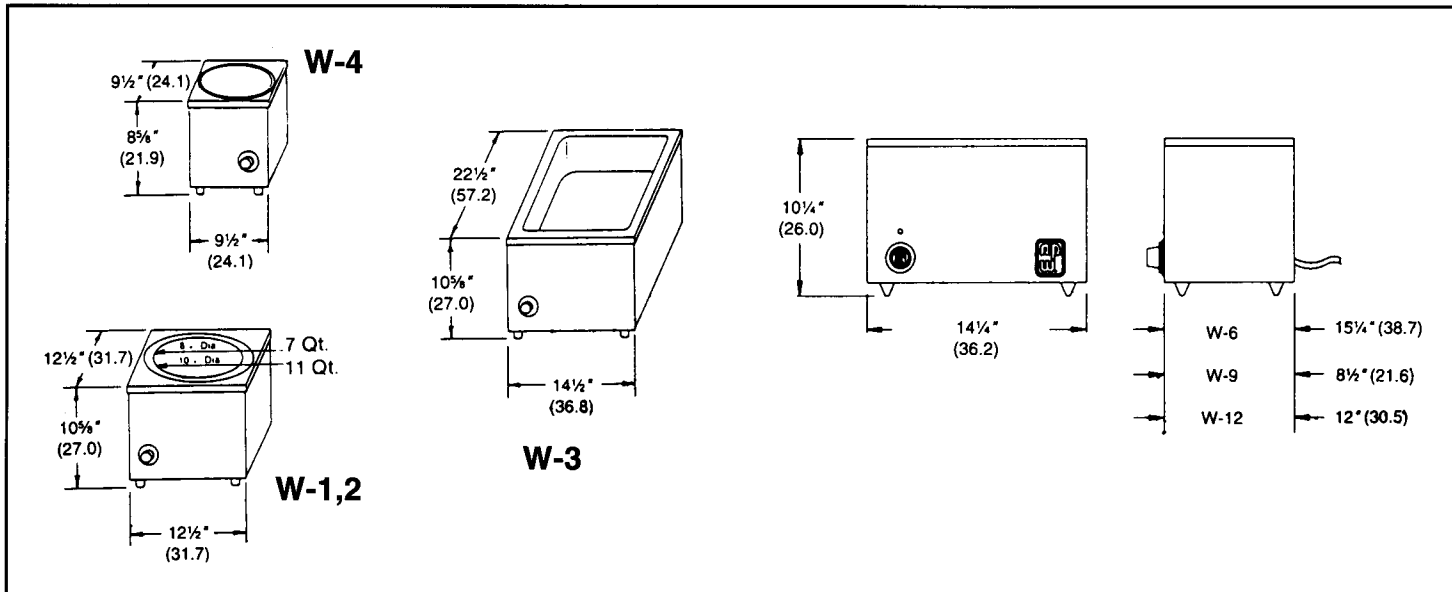
729 Third Avenue • Dallas, TX 75226

(800) 527-2100 • (214) 421-7366 • Fax (214) 565-0976



# COUNTERTOP FOOD AND FRACTIONAL WARMERS

Model W



## Models W-1 to 12 — Countertop Food Warmers and Fractional Warmers

### SPECIFICATIONS

Model No.	Capacity	Dimensions	Electrical	Ship Wt
W-1	7 Qt. (6.6L)	10 5/8" H x 12 1/2" W x 12 1/2" D (27 cm x 31.7 cm x 31.7 cm)	120V – 500W – 4.2 Amps NEMA 5-15P, 6 ft. cord set	15 lbs. (6.8 Kg)
W-2	11 Qt. (10.4L)	10 5/8" H x 12 1/2" W x 12 1/2" D (27 cm x 31.7 cm x 31.7 cm)	120V – 800W – 6.7 Amps	18 lbs. (8.2 Kg)
W-3 (12 x 20)	22 Qt. (20.8L)	10 5/8" H x 14 1/2" W x 22 1/2" D (27 cm x 36.8 cm x 57.2 cm)	120V – 1200W – 10 Amps NEMA 5-15P, 6 ft. cord set	27 lbs. (12.3 Kg)
W-4	4 Qt. (3.8L)	8 5/8" H x 9 1/2" W x 9 1/2" D (21.9 cm x 24.1 cm x 24.1 cm)	120V – 400W – 3.3 Amps NEMA 5-15P, 6 ft. cord set	9 lbs. (4.1 Kg)
W-6	2/3 size warmer	10 1/4" H x 14 1/4" W x 15 1/4" D (26.0 cm x 36.2 cm x 38.7 cm)	120V – 800W – 6.7 Amps	25 lbs. (11.4 Kg)
W-9	1/3 size warmer	10 1/4" H x 14 1/4" W x 8 1/2" D (26.0 cm x 36.2 cm x 21.6 cm)	120V – 400W – 3.3 Amps	18 lbs. (8.2 Kg)
W-12	1/2 size warmer	10 1/4" H x 14 1/4" W x 12" D (26.0 cm x 36.2 cm x 30.5 cm)	120V – 800W – 6.7 Amps	20 lbs. (9.1 Kg)

### ACCESSORIES

- APW/Wyott manufactures a complete line of pans, insets, covers, adapter plates, adapter bars and pan lifters available for the APW/Wyott Countertop Warmers.
- Angled Housetop for 2/3 size warmer.
- 1/4 size pump with cover for 1/2 size warmer.
- 1/6 size pump with cover for 2/3 or 1/3 size warmers.

APW/Wyott reserves the right to modify specifications or discontinue models without incurring obligation.

F.O.B. Dallas, Texas

PRINTED IN U.S.A. W 03/96