



Redefining Healthcare Food Service

Reflection Series

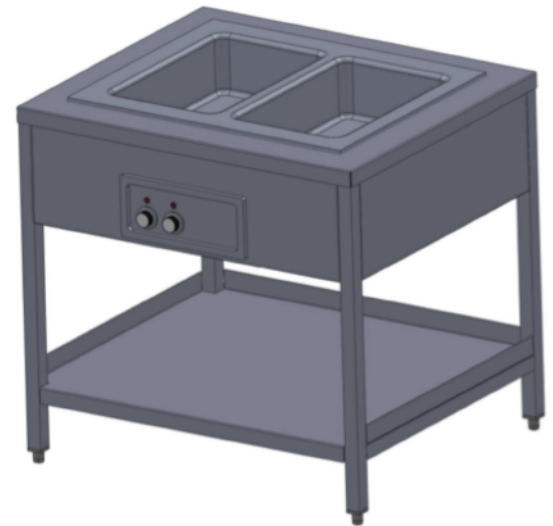
Hot Food Counter

Model Numbers:

**AEHF2, AEHF3, AEHF4, AEHF5,
AEHF6, AESL2, AESL3**

With Alluserv you are not just buying a product. You are receiving our team's service commitment to get the most value from your investment in our products. We will provide you with:

- A team of knowledgeable experts with over 100 years of combined experience to help you understand and receive the most from your product throughout its service life
- Detailed instructions and specification on cleaning and application to best maintain your equipment
- A national service network and service manuals for our extensive product offering.



HOT FOOD COUNTER

APPLICATION

The Reflection Series counters can support any tray line layout and are versatile enough to use in any format. Whatever your needs are Alluserv can help furnish them.

CONSTRUCTION

The hot food counter is constructed with a heavy duty gauge stainless steel top with square turn down on all sides as standard, as well as a stainless steel under shelf.

HEATED WELLS

The wells will be individual, stainless steel, 12"x20"x6-1/2" deep with covered corners and insulated with high density fiberglass. An additional nonconductive heat barrier is also provided to seal and isolate heat wells from the top surface.

CASTERS

The unit is mounted on stainless steel adjustable feet. Available with 5" casters, as option, with swivel casters, two fitted with brakes.

HEATING SYSTEM

The wells are individually heated by means of a 240V/1200 watt or 208V/1000 watt heating system. Each well has its own separate heat control and the unit is provided with a 10' cord and plug.

Options

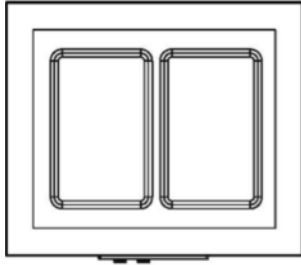
- Manifold drains
- Work shelf
- Duplex outlet
- Overhead shelf
- Casters
- 3-bar tray slide
- Full service guard

Warranty

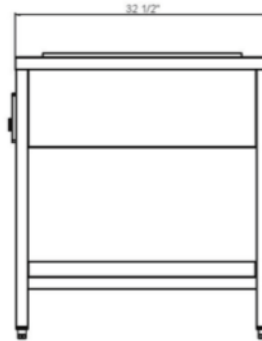
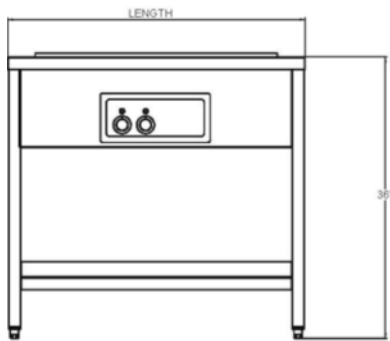
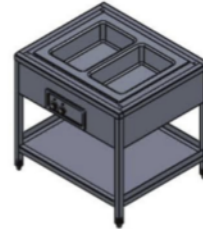
- Two years parts and one year labor

Reflection Series

Hot Food Counter



SIZE	LENGTH
2 WELL	38"
3 WELL	52"
4 WELL	66"
5 WELL	80"



DIMENSIONS

MODEL	OVERALL SIZE			WATTS		AMPS		NEMA	CASE WEIGHT LBS
	D	L	H	240V	208V	240V	208V		
AEHF2	32-1/2"	38"	36"	2400	2000	10	9.6	6-20P	145
AEHF3	32-1/2"	52"	36"	3600	3000	15	14.4	6-20P	190
AEHF4	32-1/2"	66"	36"	4800	4000	20	19.2	6-20P	235
AEHF5	32-1/2"	80"	36"	6000	5000	25	24	6-20P	285
AEHF6	32-1/2"	91"	36"	7200	6000	30	28.8	6-50P	335
AESL2	21"	53"	36"	2400	2000	10	9.6	6-15P	145
AESL3	21"	77"	36"	3600	3000	15	14.4	6-20P	190



901 West 14th Street | Suite 200 | Washington, MO | 63090 | toll free 888-892-2213 | fax 636-239-8435 | alluserv.com