



Redefining Healthcare Food Service

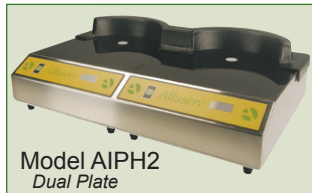
Induction Plate Activator™

with TempSense™

Item # _____
Quantity _____



Model AIPH1
Single Plate



Model AIPH2
Dual Plate



Specification:

Shall be Alluserv Model _____, and shall charge (heat) plates by magnetic induction. Units shall charge 9" and 10" induction plates and 4" induction bowls. Induction charger(s) shall have 900 W output. Unit exterior housing shall be of 18-gauge stainless steel (Type 300), and include rubber feet. Top charging surface shall be scratch-resistant polycarbonate, and shall feature a calibrated plate locator to assure precise plate placement on charging surface. Built-in TempSense™ heat sensing device shall be preset to regulate consistent plate temperatures to 210°F. Unit shall operate on 120 VAC, 60Hz, 1-phase, and be supplied with 6' grounded 14-3 power cord with NEMA plug. Unit shall be ETL listed for sanitation (AIPH1, AIPH2) and safety (AIPH1 only) and shall have a 2-year parts and 1-year labor warranty.

Application/Features:

- Charges 9", 10" plates and 4" bowls for room service or tray line applications.
- Built-in TempSense™ heat sensing regulator for consistent heating
- Calibrated plate locator assures precise plate placement on charging surface

Performance:

- Charge time of approximately 20 seconds from ambient temperature
- Hold time of 25 to 30 minutes (with dome)

Construction:

- Stainless steel 18-gauge housing
- High-impact polycarbonate top charging surface
- Rubber feet for non-slip stability

Electrical:

- 120 VAC, 60Hz., 1-Ph.
- Six foot 14-3 grounded power cord with NEMA 5-15P (AIPH1) or NEMA 5-20P (AIPH2) angled plug

Warranty:

- 2-year parts
- 1-year labor

The chart below features Plate Locator options available. Specify Locator number along with unit model number when ordering.

Locator #	Charger/Plate	For Bauscher Plate/Bowl
A00137	Single / 9.1"	250023, 800023
A00138	Single / 10.1"	250025, 281826, 800025
A00143	Single / 9.5"	250024
A00144	Single / 9"	281823, 800173
A00145	Single / 4.9" (bowl)	253012, 595712
A00152	Double / 9.1"	250023, 800023
A00157	Double / 10.1"	250025, 281826, 800025

Spec. # _____
AIA # _____

Made in U.S.A.

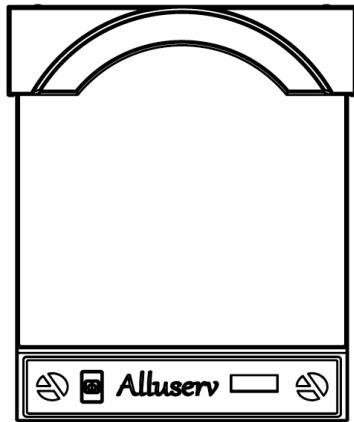
Powered by **LAKESIDE**

901 West 14th Street ♦ Washington MO 63090 USA
tel: 888.892.2213 ♦ 636.239.8441 ♦ www.alluserv.com

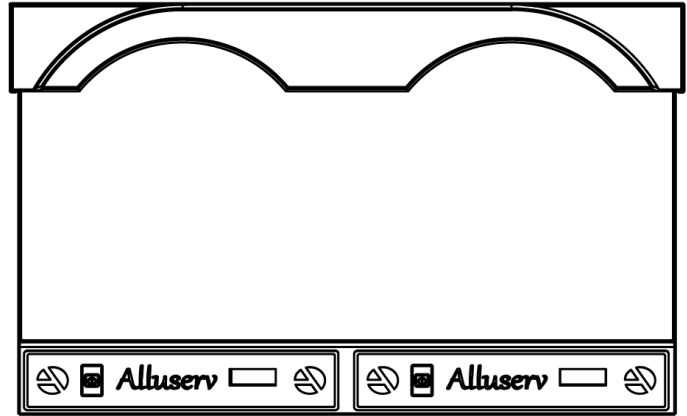


Redefining Healthcare Food Service

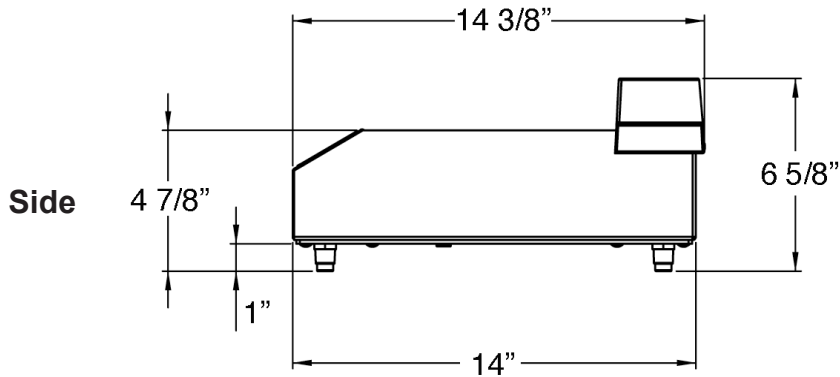
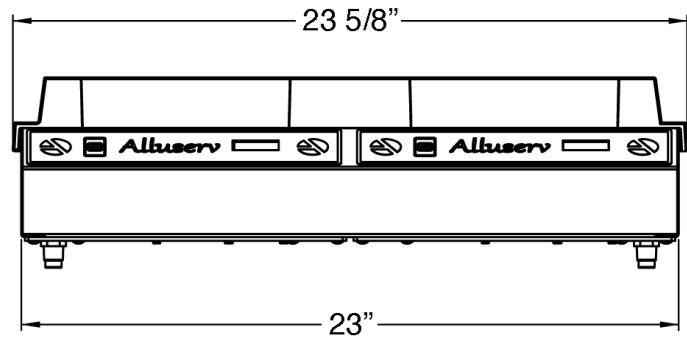
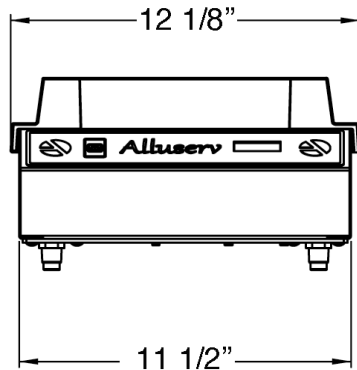
Induction Plate Activator



Top



Front



Model Information

Model	Overall Size			Electrical			Case Wt. Lb. (kg)	Case Cube Cu. Ft. (m ³)
	W	D	H	Watts	Amps	VAC		
AIPH1	12 1/8" (308)	14 3/8" (365)	6 5/8" (168)	900	7.5	120, 60Hz	22 (9.9)	0.73 (0.04)
AIPH2	23 5/8" (600)	14 3/8" (365)	6 5/8" (168)	1800	15	120, 60Hz	40 (18)	1.45 (0.02)

Measurements in () denote metric millimeters, unless otherwise specified.

Powered by **LAKESIDE**

901 West 14th Street ♦ Washington MO 63090 USA
tel: 888.892.2213 ♦ 636.239.8441 ♦ www.alluserv.com

Spec. #

AIA #